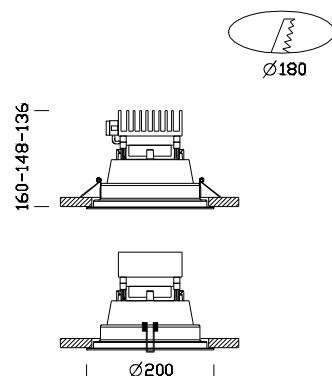


Milano 1100 TWIST GEN III - METALLIZED



Code	Gear	Kg	Colour	Dimensions	W Tot	lamp
22083062-00	CLD CELL-D	2.50	white + met	0x0x160 Ø200	15	LED TWIST 1100-HIGH PROFILE-1100lm-4000K-CRI 80
22083063-00	CLD CELL-D	2.50	white + met	0x0x148 Ø200	15	LED TWIST 1100-MEDIUM PROFILE-1100lm-4000K-CRI 80
22083064-00	CLD CELL-D	2.50	white + met	0x0x136 Ø200	15	LED TWIST 1100-LOW PROFILE-1100lm-4000K-CRI 80
22083363-00	CLD CELL-D	2.50	white + met	0x0x160 Ø200	14	LED TWIST 1100-HIGH PROFILE-1100lm-3000K-CRI 80
22083364-00	CLD CELL-D	2.50	white + met	0x0x148 Ø200	14	LED TWIST 1100-MEDIUM PROFILE-1100lm-3000K-CRI 80
22083365-00	CLD CELL-D	2.50	white + met	0x0x136 Ø200	14	LED TWIST 1100-LOW PROFILE-1100lm-3000K-CRI 80

Adequate lighting ensures proper perception of the environment and enables us to feel comfortable with our surroundings. This is the concept underlying the creation of the Milano recessed floodlight, ideal for quick, low-cost installation in any exhibition setting and fulfil interior decorators' artificial lighting requirements.

Housing: Made of steel sheet.

Reflector: V2 self-extinguishing polycarbonate

Standard supply: Includes adjustable steel bracket. Hinge opening of the glass holding ring for easier maintenance. Possibility to place the lamp in three different highs

Regulations: Manufactured in accordance with standards EN60598 - CEI 34 -21. Degree of protection in accordance with standards EN60529.

LED: 3000/4000K - 700mA - 1100lm - CRI 80 - 25000h

Available in dimmable version phase cutting IGBT dimming.