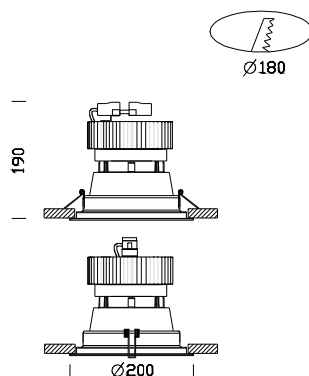


Milano 2000 TWIST - GEN III



Code	Gear	Kg	Colour	Dimensions	W Tot	lamp
22083019-00	CLD CELL	1.20	whitw + white	0x0x190 Ø200	26	LED TWIST 2000-2000lm-4000K-CRI 80

Adequate lighting ensures proper perception of the environment and enables us to feel comfortable with our surroundings. This is the concept underlying the creation of the Milano recessed floodlight, ideal for quick, low-cost installation in any exhibition setting and fulfil interior decorators' artificial lighting requirements.

Housing: Made of steel sheet.

Reflector: V2 self-extinguishing polycarbonate

Standard supply: Includes adjustable steel bracket. Hinge opening of the glass holding ring for easier maintenance.

Regulations: Manufactured in accordance with standards EN60598 - CEI 34 -21. Degree of protection in accordance with standards EN60529.

Available in dimmable version phase cutting IGBT dimming. Passive dissipation system

LED: 4000K - 2000lm - CRI80 - 50000h.