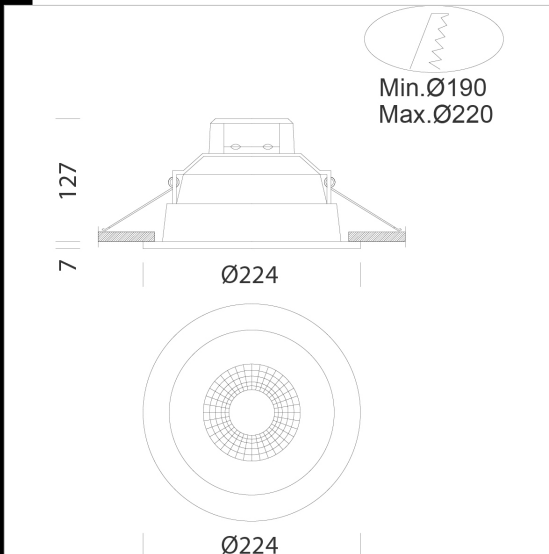


Milano big - UGR<19

Housing: made in aluminium with spring clips for recessed mounting. 60° Reflector: metallized and prismatic aluminium. Regulations: Manufactured in accordance with standards EN60598 – CEI 34 –21. Degree of protection in accordance with standards EN60529.
 Power factor: >0,95
 Luminous flux maintenance 70%: 56.000h (L70B50).
 Photobiological safety class: exempt group EN62471.

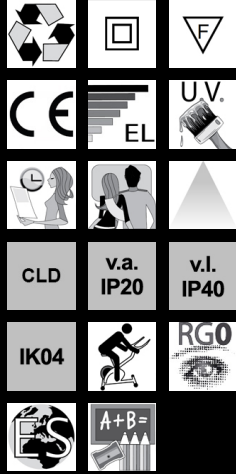


Code	Gear	Kg	Lumen Output-K-CRI	WTot	Colour
22083016-00	CLD	0.50	LED-2200lm-3000K-38°-CRI>80	20 W	WHITE
22083017-00	CLD	0.50	LED-2250lm-4000K-60°-CRI>80	20 W	WHITE
22083016-1241	CLD CELL-D-D	0.69	LED-2200lm-3000K-60°-CRI>80	20 W	WHITE
22083017-1241	CLD CELL-D-D	0.69	LED-2250lm-4000K-60°-CRI>80	20 W	WHITE

Accessories



- EM Kit R



Download

DXF 2D
 - miUbig.dxf

Montaggi
 - MILANO DLA G2 UGR19 REV3.pdf

The reported luminous flux is the flux emitted by the light source with a tolerance of ± 10% compared to the indicated value. The W tot column indicates the total wattage absorbed by the system without exceeding 10% of the indicated