

Milano DLM FLEX 3000

Adequate lighting ensures proper perception of the environment and enables us to feel comfortable with our surroundings. This is the concept underlying the creation of the Milano recessed floodlight, ideal for quick, low-cost installation in any exhibition setting and fulfil interior decorators' artificial lighting requirements.

Housing: Made of steel sheet.

Reflector: V2 self-extinguishing polycarbonate

Coating: Power-coated with a UV-resistant polyester epoxy pain.

Standard supply: Includes adjustable steel bracket. Hinge opening of the glass holding ring for easier maintenance.

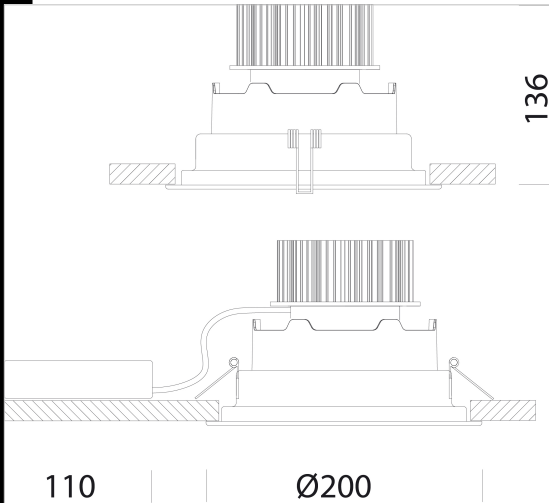
Regulations: Manufactured in accordance with standards EN60598 – CEI 34 –21. Degree of protection in accordance with standards EN60529.

LED: 3000/4000K - 3000/3300lm - CRI80 - 26W

Power factor: >0,95

Luminous flux maintenance 70% 60000h (L70B50)

Photobiological safety class: exempt group EN62471.



Code	Gear	Kg	Watt	Base	Lamps	Colour
22083010-00	CLD CELL	1,63	LED DLM FLEX 3000 26W		3000lm-3000K-CRI 80	WHITE
22083015-00	CLD CELL	1,63	LED DLM FLEX 3000 26W		3300lm-4000K-CRI 80	WHITE



Download

DXF 2D
- midlm.dxf