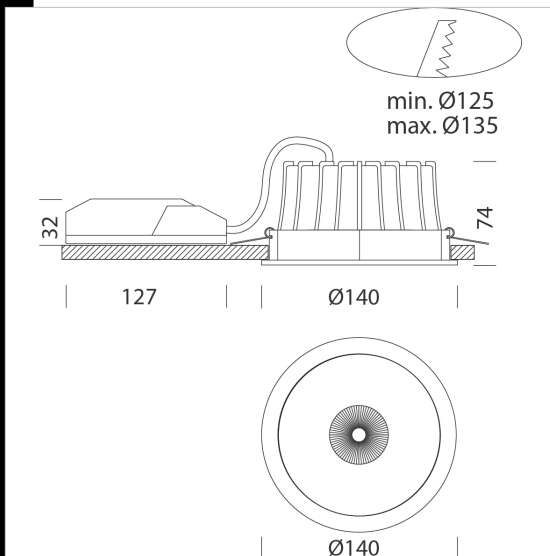




## Snow 111

Housing: in die-cast aluminium with heat sink.  
 Coating: epoxy polyester powder coating resistant to UV rays.  
 Reflector: anti-glare shield with lens for controlling luminous intensity distribution.  
 Standard gear: complete with nuts and screws in anti-corrosion stainless steel.  
 Standards: manufactured pursuant to EN 60598-1-CEI 34.21 and with a degree of protection pursuant to EN 60529.  
 LED: 80% luminous flux maintenance at 80%: 50.000h (L80B20).  
 Photobiological safety class: exempt group EN62471.  
 Power factor 0.9  
 Fitting hole: diameter 125/135 mm.



Code	Gear	Kg	Lumen Output-K-CRI	WTot	Colour
22082815-00	CLD	0,83	LED COB-3364lm-3000K-40°-CRI>90	40 W	WHITE
22082816-00	CLD	0,79	LED COB-3617lm-4000K-40°-CRI>90	40 W	WHITE
22082835-00	CLD	0,79	LED COB-3364lm-3000K-40°-CRI>90	40 W	BLACK
22082836-00	CLD	0,80	LED COB-3617lm-4000K-40°-CRI>90	40 W	BLACK

### Accessori



- EM Kit Q

The reported luminous flux is the flux emitted by the light source with a tolerance of  $\pm 10\%$  compared to the indicated value. The W tot column indicates the total wattage absorbed by the system without exceeding 10% of the indicated