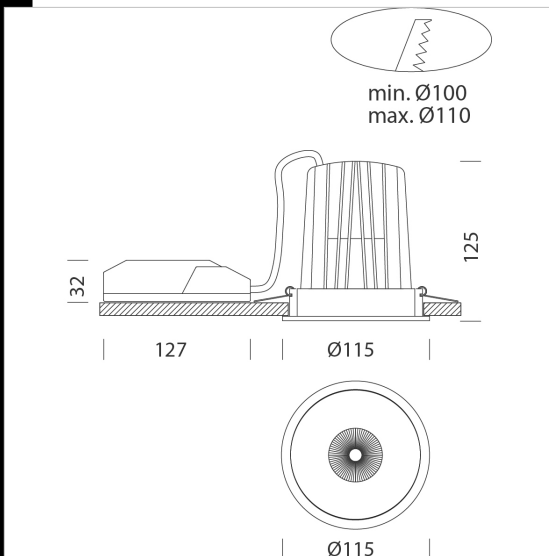




Snow 70

Housing: in die-cast aluminium with heat sink.
 Coating: epoxy polyester powder coating resistant to UV rays.
 Reflector: anti-glare shield with lens for controlling luminous intensity distribution.
 Standard gear: complete with nuts and screws in anti-corrosion stainless steel.
 Standards: manufactured pursuant to EN 60598-1-CEI 34.21 and with a degree of protection pursuant to EN 60529.
 LED: 80% luminous flux maintenance at 80%: 50.000h (L80B20).
 Power factor 0.9
 Photobiological safety class: exempt group EN62471.
 Fitting hole: diameter 100/110 mm.



Code	Gear	Kg	Lumen Output-K-CRI	WTot	Colour
22082715-00	CLD	0,55	LED COB-2338lm-3000K-40°-CRI>90	25 W	WHITE
22082716-00	CLD	0,57	LED COB-2514lm-4000K-40°-CRI>90	25 W	WHITE
22082735-00	CLD	0,58	LED COB-2338lm-3000K-40°-CRI>90	25 W	BLACK
22082736-00	CLD	0,57	LED COB-2514lm-4000K-40°-CRI>90	25 W	BLACK

Accessori



- EM Kit Q

The reported luminous flux is the flux emitted by the light source with a tolerance of $\pm 10\%$ compared to the indicated value. The W tot column indicates the total wattage absorbed by the system without exceeding 10% of the indicated