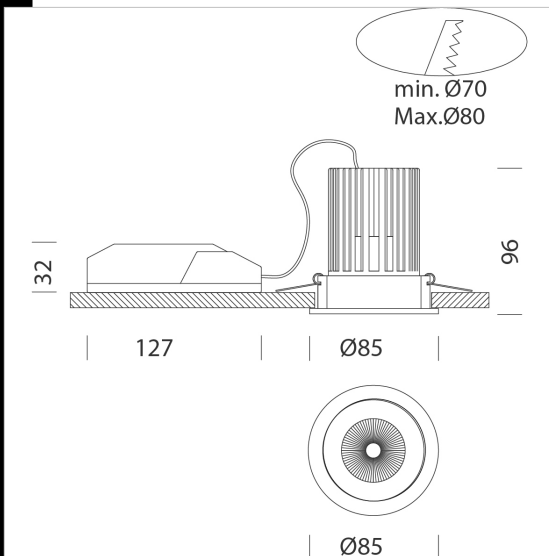


Snow 50

Housing: in die-cast aluminium with heat sink.
 Coating: epoxy polyester powder coating resistant to UV rays.
 Reflector: anti-glare shield with lens for controlling luminous intensity distribution.
 Standard gear: complete with nuts and screws in anti-corrosion stainless steel.
 Standards: manufactured pursuant to EN 60598-1-CEI 34.21 and with a degree of protection pursuant to EN 60529.
 DIM IGBT
 LED: 80% luminous flux maintenance at 80%: 50.000h (L80B20).
 Power factor: >= 0.9
 Photobiological safety class: exempt group EN62471.
 Fitting hole: diameter 70/80 mm.

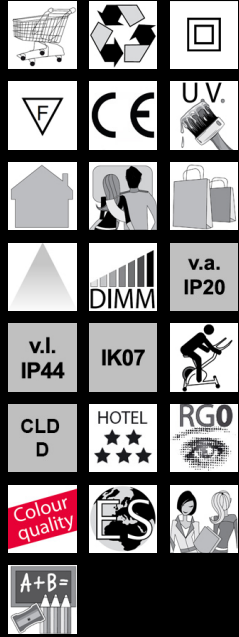


Code	Gear	Kg	Lumen Output-K-CRI	WTot	Colour
22082615-00	CLD	0,41	LED COB-626lm-3000K-38°-CRI>90	10 W	WHITE
22082616-00	CLD	0,40	LED COB-673lm-4000K-38°-CRI>90	10 W	WHITE
22082635-00	CLD	0,40	LED COB-626lm-3000K-38°-CRI>90	10 W	BLACK
22082636-00	CLD	0,30	LED COB-673lm-4000K-38°-CRI>90	10 W	BLACK

Accessori



- EM Kit Q



Download

DXF 2D
 - snow50.dxf

Montaggi
 - SNOW_50-70-111 rev2.pdf

The reported luminous flux is the flux emitted by the light source with a tolerance of ± 10% compared to the indicated value. The W tot column indicates the total wattage absorbed by the system without exceeding 10% of the indicated