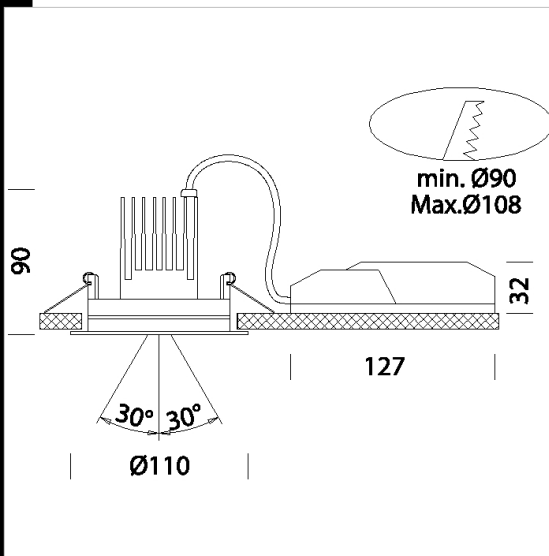


Snow 5 DIMM

Housing: in die-cast aluminium with heat sink.
 Coating: epoxy polyester powder coating resistant to UV rays.
 Optics: anti-glare screened optics.
 Standard gear: complete with nuts and screws in anti-corrosion stainless steel.
 Fixture equipped with trailing edge IGBT dimmer.
 Standards: manufactured pursuant to EN 60598-1-CEI 34.21 and with a degree of protection pursuant to EN 60529.
 DIM IGBT (dimmer must be specific for "LED+driver" configurations and equipped with adjustment for minimum brightness level).
 LED: High-efficiency light sources (CRI 92).
 Power factor: ≥ 0.9
 Photobiological safety class: Exempt group.
 Luminous flux maintenance 80%: 50.000h (L80B20).
 recessed $\varnothing 90/108$ mm



Code	Gear	Kg	Lumen Output-K-CRI	WTot	Colour
22082611-00	CLD CELL-DI	0,49	LED COB-957lm-3000K-38°-CRI 92	10 W	BIANCO
22082612-00	CLD CELL-DI	0,46	LED COB-990lm-4000K-38°-CRI 92	10 W	BIANCO
22082611-1241	CLD CELL-D-D	0,40	LED COB-957lm-3000K-38°-CRI 92	10 W	BIANCO
22082612-1241	CLD CELL-D-D	0,45	LED COB-990lm-4000K-38°-CRI 92	10 W	BIANCO
22082611-09	CLD CELL-DI-E	0,85	LED COB-957lm-3000K-38°-CRI 92	10 W	BIANCO
22082612-09	CLD CELL-DI-E	0,85	LED COB-990lm-4000K-38°-CRI 92	10 W	BIANCO
22082611-31	CLD CELL-DI-E	0,85	LED COB-957lm-3000K-38°-CRI 92	10 W	BIANCO
22082612-31	CLD CELL-DI-E	0,85	LED COB-990lm-4000K-38°-CRI 92	10 W	BIANCO



Download

DXF 2D
- snow5.dxf

Montaggi
- SNOW_5_rev1.pdf

The reported luminous flux is the flux emitted by the light source with a tolerance of $\pm 10\%$ compared to the indicated value. The W tot column indicates the total wattage absorbed by the system without exceeding 10% of the indicated