



## Milano COB dark

Adequate lighting ensures proper perception of the environment and enables us to feel comfortable with our surroundings. This is the concept underlying the creation of the Milano recessed floodlight, ideal for quick, low-cost installation in any exhibition setting and fulfil interior decorators' artificial lighting requirements.

Housing: Made of steel sheet.

Coating: Power-coated with a UV-resistant polyester epoxy pain.

Standard supply: Includes adjustable steel bracket. Hinge opening of the glass holding ring for easier maintenance.

Regulations: Manufactured in accordance with standards EN60598 - CEI 34 -21. Degree of protection in accordance with standards EN60529.

LED: 3000K - 3600lm - CRI 92

LED: 4000K - 3780lm - CRI 92

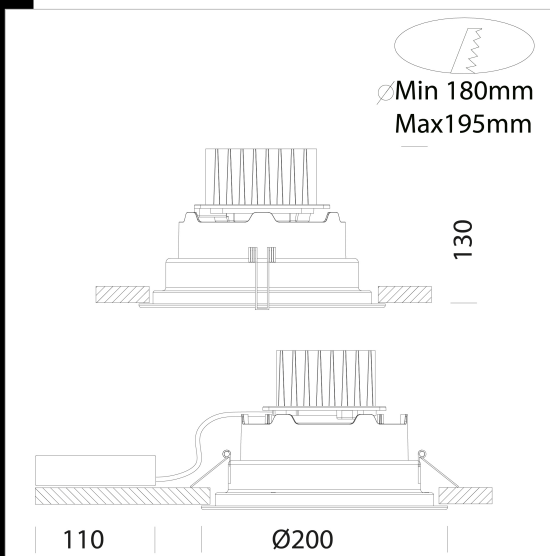
LED: 3000K - 4500lm - CRI 92

LED: 4000K - 5000lm - CRI 92

Power factor: >0,9

Luminous flux maintenance 80%: 50.000h (L80B20).

Photobiological safety class: exempt group EN62471.



Code	Gear	Kg	Watt	Base	Lamps	Colour
22082470-00	CLD CELL	1,00	LED COB 29W		3600lm-3000K-CRI 92	METALLIC
22082471-00	CLD CELL	1,00	LED COB 29W		3780lm-4000K-CRI 92	METALLIC
22082570-00	CLD CELL	1,00	LED COB 36W	-	4500lm-3000K-CRI 92	METALLIC
22082571-00	CLD CELL	1,00	LED COB 36W		5000lm-4000K-CRI 92	METALLIC

Download

DXF 2D  
- milcob.dxf