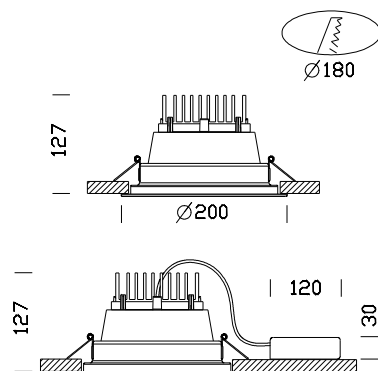


Milano 1800 ESALED



Code	Gear	Kg	Colour	Dimensions	W Tot	lamp
22081810-00	CLD CELL	1.50	white + white	0x0x127 Ø200	18	ESALED-2000lm @ 1A-4000K - 10°-CRI 80
22081870-00	CLD CELL	1.50	white + met	0x0x127 Ø200	18	ESALED-2000lm @ 1A-4000K - 10°-CRI 80
22081811-00	CLD CELL	1.50	white + white	0x0x127 Ø200	18	ESALED-2000lm @ 1A-4000K - 25°-CRI 80
22081871-00	CLD CELL	1.50	white + met	0x0x127 Ø200	18	ESALED-2000lm @ 1A-4000K - 25°-CRI 80
22081812-00	CLD CELL	1.50	white + white	0x0x127 Ø200	18	ESALED-2000lm @ 1A-4000K - 40°-CRI 80
22081872-00	CLD CELL	1.50	white + met	0x0x127 Ø200	18	ESALED-2000lm @ 1A-4000K - 40°-CRI 80
22081880-00	CLD CELL	1.50	black + gold	0x0x127 Ø200	18	ESALED-2000lm @ 1A-4000K - 10°-CRI 80
22081881-00	CLD CELL	1.50	black + gold	0x0x127 Ø200	18	ESALED-2000lm @ 1A-4000K - 25°-CRI 80
22081882-00	CLD CELL	1.50	black + gold	0x0x127 Ø200	18	ESALED-2000lm @ 1A-4000K - 40°-CRI 80
22081810-12	CLD CELL-D	1.50	white + white	0x0x127 Ø200	18	ESALED-2000lm @ 1A-4000K - 10°-CRI 80
22081870-12	CLD CELL-D	1.50	white + met	0x0x127 Ø200	18	ESALED-2000lm @ 1A-4000K - 10°-CRI 80
22081811-12	CLD CELL-D	1.50	white + white	0x0x127 Ø200	18	ESALED-2000lm @ 1A-4000K - 25°-CRI 80
22081871-12	CLD CELL-D	1.50	white + met	0x0x127 Ø200	18	ESALED-2000lm @ 1A-4000K - 25°-CRI 80
22081812-12	CLD CELL-D	1.50	white + white	0x0x127 Ø200	18	ESALED-2000lm @ 1A-4000K - 40°-CRI 80
22081872-12	CLD CELL-D	1.50	white + met	0x0x127 Ø200	18	ESALED-2000lm @ 1A-4000K - 40°-CRI 80
22081880-12	CLD CELL-D	1.50	black + gold	0x0x127 Ø200	18	ESALED-2000lm @ 1A-4000K - 10°-CRI 80
22081881-12	CLD CELL-D	1.50	black + gold	0x0x127 Ø200	18	ESALED-2000lm @ 1A-4000K - 25°-CRI 80
22081882-12	CLD CELL-D	1.50	black + gold	0x0x127 Ø200	18	ESALED-2000lm @ 1A-4000K - 40°-CRI 80
22081810-1241	CLD CELLDD	1.50	white + white	0x0x127 Ø200	18	ESALED-2000lm @ 1A-4000K - 10°-CRI 80
22081870-1241	CLD CELLDD	1.50	white + met	0x0x127 Ø200	18	ESALED-2000lm @ 1A-4000K - 10°-CRI 80
22081811-1241	CLD CELLDD	1.50	white + white	0x0x127 Ø200	18	ESALED-2000lm @ 1A-4000K - 25°-CRI 80

Code	Gear	Kg	Colour	Dimensions	W Tot	lamp
22081871-1241	CLD CELLDD	1.50	white + met	0x0x127 Ø200	18	ESALED-2000lm @ 1A-4000K - 25°-CRI 80
22081812-1241	CLD CELLDD	1.50	white + white	0x0x127 Ø200	18	ESALED-2000lm @ 1A-4000K - 40°-CRI 80
22081872-1241	CLD CELLDD	1.50	white + met	0x0x127 Ø200	18	ESALED-2000lm @ 1A-4000K - 40°-CRI 80
22081880-1241	CLD CELLDD	1.50	black + gold	0x0x127 Ø200	18	ESALED-2000lm @ 1A-4000K - 10°-CRI 80
22081881-1241	CLD CELLDD	1.50	black + gold	0x0x127 Ø200	18	ESALED-2000lm @ 1A-4000K - 25°-CRI 80
22081882-1241	CLD CELLDD	1.50	black + gold	0x0x127 Ø200	18	ESALED-2000lm @ 1A-4000K - 40°-CRI 80

Adequate lighting ensures proper perception of the environment and enables us to feel comfortable with our surroundings. This is the concept underlying the creation of the Milano recessed floodlight, ideal for quick, low-cost installation in any exhibition setting and fulfil interior decorators' artificial lighting requirements.

Housing: Made of steel sheet.

Reflector: Metallized polycarbonate diffuser

Standard supply: Includes adjustable steel bracket. Hinge opening of the glass holding ring for easier maintenance.

Regulations: Manufactured in accordance with standards EN60598 - CEI 34 -21. Degree of protection in accordance with standards EN60529.

ESALED: 3000/4000K - 1050mA - 1800/2000lm - CRI 80