

Milano "T" - CDM-T Elite

Adequate lighting ensures proper perception of the environment and enables us to feel comfortable with our surroundings. This is the concept underlying the creation of the Milano recessed floodlight, ideal for quick, low-cost installation in any exhibition setting and fulfil interior decorators' artificial lighting requirements.

Housing: Made of steel sheet.

Reflector: Narrow- beam; oxidised and polished aluminium.

Diffuser: Tempered glass protection shield.

Lampholder: Ceramic with silver-plated contacts, or polycarbonate with phosphor bronze contacts.

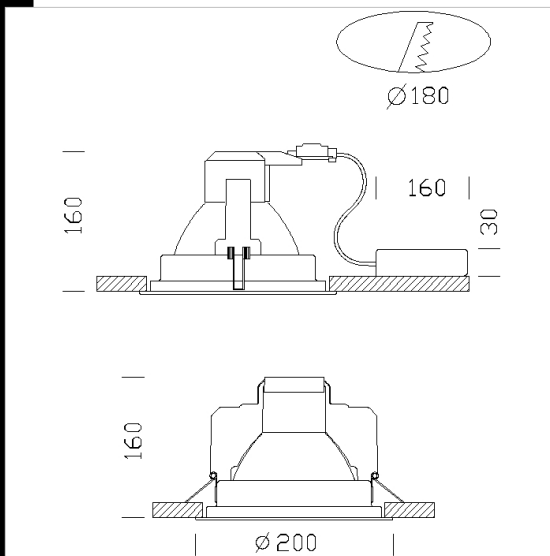
Electric gear: 230V/50Hz power supply, with thermal protection for discharge lamps. Flexible silicone insulated wire terminated with admiralty brass clamps, with fibreglass braid, cross-section: 1.5 sqmm. 2P+T terminal block (with plug-socket connector).

Standard supply: Includes adjustable steel bracket. Hinge opening of the glass holding ring for easier maintenance.

Regulations: Manufactured in accordance with standards EN60598 – CEI 34 –21. Degree of protection in accordance with standards EN60529.

Lamps: Mastercolour lamps included

Use with control gear box 92060/65 or 92011/21.



Code	Gear	Kg	Lumen-K-CRI	WTot	Base	Colour
22080678-00	CELL	1.20	CDM-T 100 elite-11000lm-3000K-Ra 90	109 W	G12	ARGENTO
22080677-00	CELL	1.10	CDM-T 50 elite-5500lm-3000K-Ra 90	58 W	G12	ARGENTO
22080617-00	CELL	1.10	CDM-T 50 elite-5500lm-3000K-Ra 90	58 W	G12	BIANCO
22080618-00	CELL	1.30	CDM-T 100 elite-11000lm-3000K-Ra 90	109 W	G12	BIANCO

Download

DXF 2D
- 81011.dxf

Montaggi
- 771810_milano.pdf

The reported luminous flux is the flux emitted by the light source with a tolerance of $\pm 10\%$ compared to the indicated value. The W tot column indicates the total wattage absorbed by the system without exceeding 10% of the indicated