

Hotel 9



Interior lighting has been undergoing a massive transformation in recent years. Today, the primary objective is to achieve maximum visual comfort that takes on different meanings based on the context in which the lighting fixture is mounted. In stores, from the big shopping centres to the small boutiques, lighting is the central element around which the right system should be designed in order to create a pleasant and attractive environment for customers. The great versatility of our new spotlights enhances the merchandise in the best way possible and creates customised lighting systems to make the store's brand always recognisable. In the leisure & hospitality sector (hotels, bars, restaurants) lighting is equally important to create a customised and well recognisable style.

Housing: in die cast aluminium

Reflector: in coated, oxidised and high yield polished aluminium.

Painting: dust painted, using polyester epoxy paint to withstand UV rays.

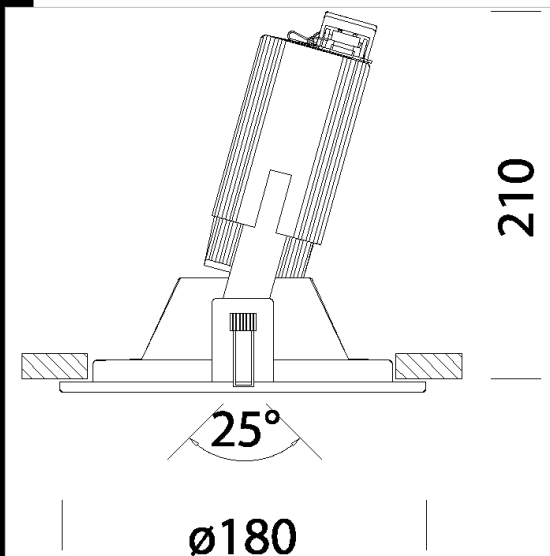
Standards: Products complying with EN 60598-1-CEI 34.21 standards, with a degree of protection in compliance with EN 60529 standards.

LED PAR20 - 8W - 2750K - 500lm

Power factor: 0.95

Photobiological safety class: Exempt group.

Luminous flux maintenance 70%: 40.000h (L70B50).



Code	Gear	Kg	Watt	Base	Lamps	Colour
22080115-00	CLD CELL-D	0,75	LED PAR20 8W	E27	500lm-2750K - 38°-na	WHITE



Download

DXF 2D
- hotel.dxf