

Roma 1 - DLM FLEX 2000

Adequate lighting ensures proper perception of the environment and enables us to feel comfortable with our surroundings. This is the concept underlying the creation of the Roma recessed floodlight, ideal for quick, low-cost installation in any exhibition setting and fulfil interior decorators' artificial lighting requirements.

Housing: in die cast aluminium

Reflector: In 99.98 aluminium.

Painting: dust painted, using polyester epoxy paint to withstand UV rays.

Standard supply: Includes adjustable steel bracket. Hinge opening of the glass holding ring for easier maintenance.

Regulations: Manufactured in accordance with standards EN60598 – CEI 34 –21. Degree of protection in accordance with standards EN60529.

LED: high-efficiency light sources 3000K - 2000lm - CR180. Available in dimmable version phase cutting IGBT dimming.

Power factor: >0,95

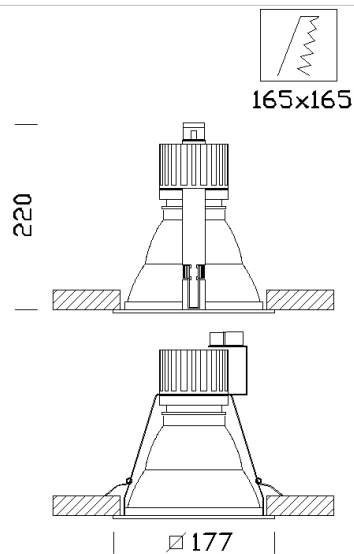
Luminous flux maintenance 70% 60000h (L70B50)

Photobiological safety class: exempt group EN62471.



Download

DXF 2D
- roma1.dxf



Code	Gear	Kg	Watt	Base	Lamps	Colour
22080012-09	CLD CELL-E	1,72	LED DLM FLEX 2000	-	2000lm-3000K-CRI 80	WHITE
22080012-00	CLD CELL	1,70	LED DLM FLEX 2000	-	2000lm-3000K-CRI 80	WHITE