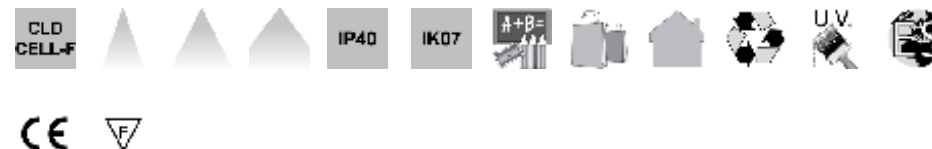
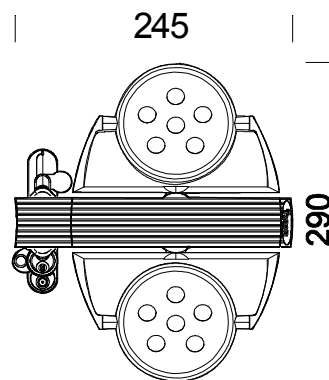


Gi Otto 2 x ESALED



| Code | Gear | Colour | Dimensions | W Tot | lamp |
|-------------|------------|-------------|-------------|-------|------------------------------------|
| 22079170-00 | CLD CELL-F | met. silver | 245x290x140 | 34 | ESALEDx2-1500lm-4000K - 10°-CRI 80 |
| 22079171-00 | CLD CELL-F | met. silver | 245x290x140 | 34 | ESALEDx2-1500lm-4000K - 25°-CRI 80 |
| 22079172-00 | CLD CELL-F | met. silver | 245x290x140 | 34 | ESALEDx2-1500lm-4000K - 40°-CRI 80 |

Gi Otto with "swivelling" fixed central base for wall or ceiling installations. Perfect for lighting particular ambiances. Option to select luminous sources with different types of beams. Track-mounted adjustable-angle GiOtto with Omnitrack adapter

Housing: Die-cast zamak, with adjustable-angle bows and lamp-holders.

Coating: UV-stabilised, humidity-resistant acrylic-resin liquid paint.

Regulations: Manufactured in accordance with standards EN60598 - 1 - CEI 34.21. Degree of protection in accordance with standards EN60529.