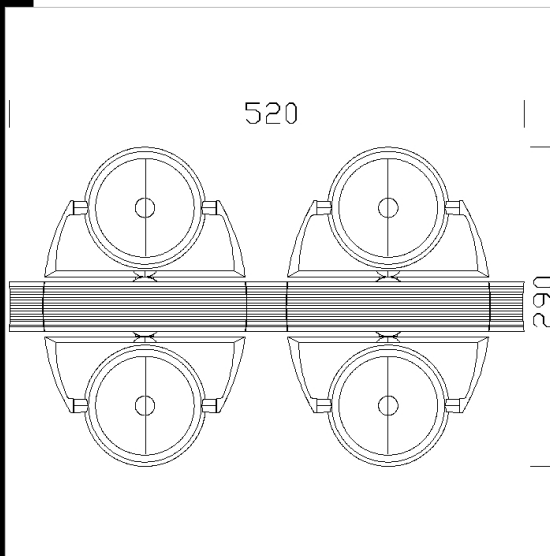




GiOtto 4 x ar111 Suspension

Track-mounted adjustable-angle GiOtto with Omnitrack adapter
 Housing: Die-cast zamak, with adjustable-angle bows and lamp-holders.
 Coating: UV-stabilised, humidity-resistant acrylic-resin liquid paint.
 Lampholder: Ceramic with silver-plated contacts.
 Electric gear: Includes dimming transformer. Flexible wire. 3P terminal block (maximum allowed lead cross-section: 2.5 sqmm).
 Regulations: Manufactured in accordance with standards EN60598 – 1 - CEI 34.21. Degree of protection in accordance with standards EN60529.
 Lamps: Supply includes AR111-50/75-24° lamps. Possibility to select luminous sources, powers and light beam. A different lamp can be requested by specifying the desired item in the order.

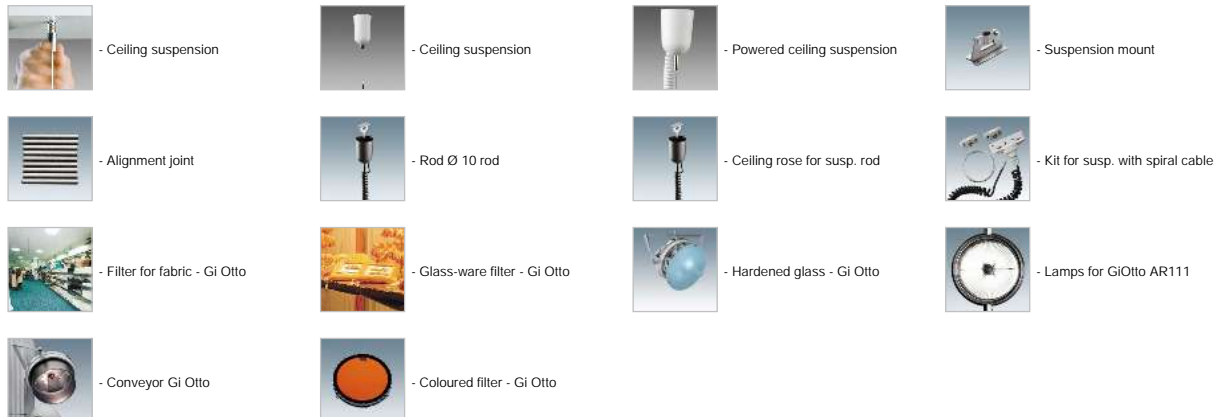


Download

- DXF 2D
- g84a2.dxf
- 3DS
- giotto_4xar111.3ds
- 3DM
- giotto_4xar111.3dm
- Montaggi
- 771720.giotto.pdf

Code	Gear	Kg	Lumen-K-CRI	WTot	Base	Colour
22076071-00	CTL	2.70	AR111 4x50IRC-5800cd-3000K-Ra 100	210 W	G53	SILVER

Accessories



The reported luminous flux is the flux emitted by the light source with a tolerance of $\pm 10\%$ compared to the indicated value. The W tot column indicates the total wattage absorbed by the system without exceeding 10% of the indicated