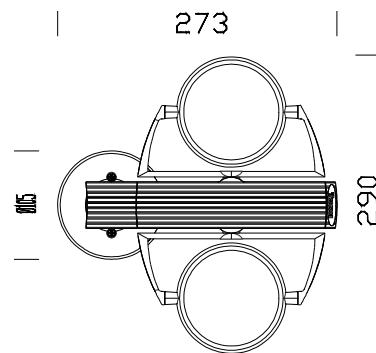


## Gi Otto LED AR111



Code	Gear	Kg	Colour	Dimensions	W Tot	lamp
22074270-00	CLD CTL	1.60	met. silver	290x273x135	22	AR111 LED-G53-550lm-3000K - 45000h - 25°-Ra 82

Gi Otto with "swivelling" fixed central base for wall or ceiling installations. Perfect for lighting particular ambiances. Option to select luminous sources with different types of beams. Track-mounted adjustable-angle GiOtto with Omnitrack adapter

Housing: Die-cast zamak, with adjustable-angle bows and lamp-holders.

Coating: UV-stabilised, humidity-resistant acrylic-resin liquid paint.

Regulations: Manufactured in accordance with standards EN60598 - 1 - CEI 34.21. Degree of protection in accordance with standards EN60529.

LED: 550lm - 3000K - CRI 82 - 25°