

Download

DXF 2D
- 74086.dxf



Gi Otto with tiges LED

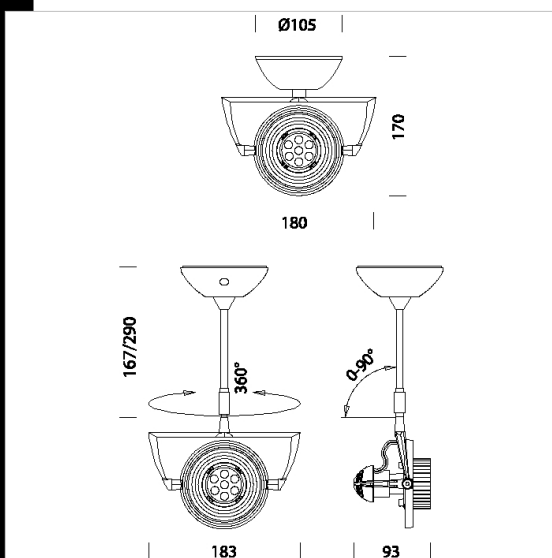
Gi Otto with "rotating" anchored central terminal plate for wall or ceiling mounting. Ideal for lighting special environments.

Housing: in die cast zama (zinc, aluminium, magnesium) with small arches and directional lampholder.

Regulations: Manufactured in accordance with standards EN60598 - 1 - CEI 34.21. Degree of protection in accordance with standards EN60529.

Power factor: 0.8

Luminous flux maintenance 70% 25000h (L70B50)



Code	Gear	Kg	Lumen Output-K-CRI	WTot	Colour
22074086-00	CLD CELL-D	0.50	LED SMD-500lm-3000K-38°-CRI 80	6 W	SILVER
22074088-00	CLD CELL-D	0.60	LED SMD-500lm-3000K-38°-CRI 80	6 W	SILVER
22074087-00	CLD CELL-D	0.60	LED SMD-500lm-3000K-38°-CRI 80	6 W	SILVER

The reported luminous flux is the flux emitted by the light source with a tolerance of ± 10% compared to the indicated value. The W tot column indicates the total wattage absorbed by the system without exceeding 10% of the indicated