

## Gi Otto with tiges LED 10° 230v

Gi Otto with "rotating" anchored central terminal plate for wall or ceiling mounting. Ideal for lighting special environments.

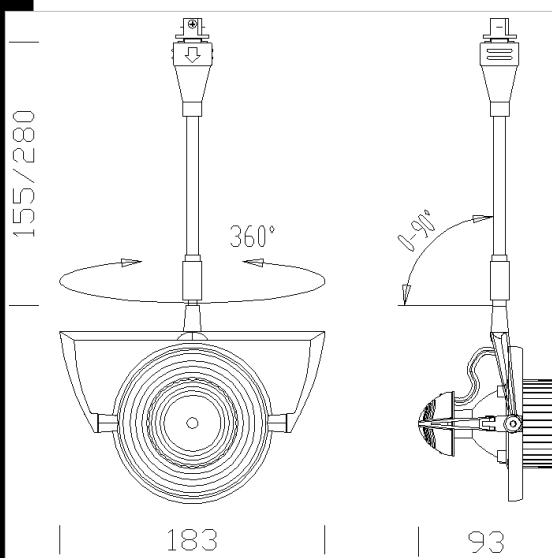
Housing: in die cast zama (zinc, aluminium, magnesium) with small arches and directional lampholder.

Regulations: Manufactured in accordance with standards EN60598 - 1 - CEI 34.21. Degree of protection in accordance with standards EN60529.

Complete with 1 module Led 2.5W. Flow tot. 5000k - 120lm - 10°.

### Download

DXF 2D  
- 74174.dxf



Code	Gear	Kg	Watt	Base	Lamps	Colour
22074080-00	CLD CELL	0,44	LED white	GU10	--10°	SILVER
22074081-00	CLD CELL	0,43	LED white	GU10	--10°	SILVER