



IP40

Download

DXF 2D
- 74075.dxf
Montaggi
- 771461 stelo-gi otto.pdf



Gi Otto with tiges

The uniqueness of this version is in its adjustable-angle base, pivoting on its own pin, which makes it ideal for wall or ceiling installations. Perfect for lighting objects placed in any position. Track-mounted adjustable-angle GiOtto with Omnitrack adapter

Housing: Die-cast zamak, with adjustable-angle bows and lamp-holders.

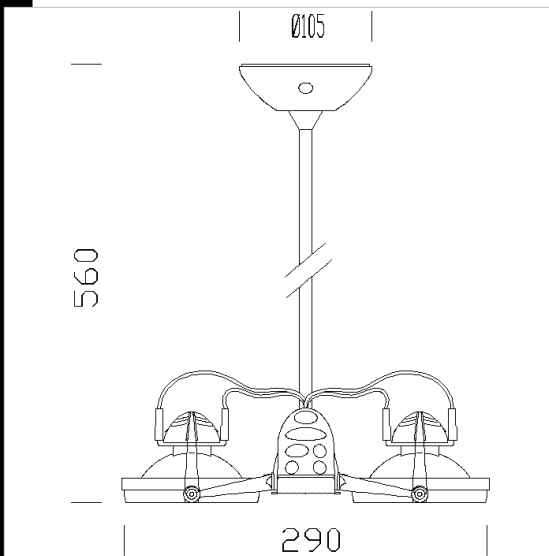
Coating: UV-stabilised, humidity-resistant acrylic-resin liquid paint.

Lampholder: Ceramic with silver-plated contacts.

Electric gear: Includes dimming transformer. Flexible wire. 2P+T terminal block (maximum allowed lead cross-section: 2.5 sqmm).

Regulations: Manufactured in accordance with standards EN60598 - 1 - CEI 34.21. Degree of protection in accordance with standards EN60529.

Lamps: Supply includes AR111-50/75-24° lamps. Possibility to select luminous sources, powers and light beam. A different lamp can be requested by specifying the desired item in the order.



Code	Gear	Kg	Lumen-K-CRI	WTot	Base	Colour
22074075-00	CTL	2.70	AR111 4x50IRC-5800cd-3000K-Ra 100	210 W	G53	SILVER

Accessories



- Conveyor



- Conveyor Gi Otto

The reported luminous flux is the flux emitted by the light source with a tolerance of $\pm 10\%$ compared to the indicated value. The W tot column indicates the total wattage absorbed by the system without exceeding 10% of the indicated