

GiOtto 2 x ar111 fixed base

Gi Otto with "swivelling" fixed central base for wall or ceiling installations. Perfect for lighting particular ambiances. Option to select luminous sources with different types of beams. Track-mounted adjustable-angle GiOtto with Omnitrack adapter

Housing: Die-cast zamak, with adjustable-angle bows and lamp-holders.

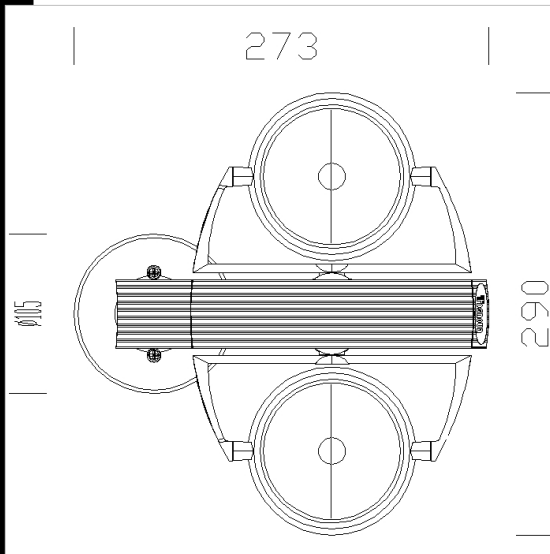
Coating: UV-stabilised, humidity-resistant acrylic-resin liquid paint.

Lampholder: Ceramic with silver-plated contacts.

Electric gear: Includes dimming transformer. Flexible wire. 2P+T terminal block (maximum allowed lead cross-section: 2.5 sqmm).

Regulations: Manufactured in accordance with standards EN60598 - 1 - CEI 34.21. Degree of protection in accordance with standards EN60529.

Lamps: Supply includes AR111-50/75-24° lamps. Possibility to select luminous sources, powers and light beam. A different lamp can be requested by specifying the desired item in the order.



Download

DXF 2D
- g8bf2a.dxf

3DS
- giotto_2xar111.3ds

3DM
- giotto_2xar111.3dm

Montaggi
- 771720.giotto.pdf

Code	Gear	Kg	Lumen-K-CRI	WTot	Base	Colour
22074071-00	CTL	1.55	AR111 2x50IRC-5800cd-3000K-Ra 100	105 W	G53	SILVER
22074077-00	CTL	1.55	AR111 2x35IRC-4500cd-3000K-Ra 100	76 W	G53	SILVER
22074073-00	CTL	1.55	AR111 2x75-5300cd-3000K-Ra 100	157 W	G53	SILVER

Accessories



- Lamps for GiOtto AR111



- Alignment joint



- Hardened glass - Gi Otto



- Conveyor Gi Otto

The reported luminous flux is the flux emitted by the light source with a tolerance of $\pm 10\%$ compared to the indicated value. The W tot column indicates the total wattage absorbed by the system without exceeding 10% of the indicated