



### Download

DXF 2D  
- g8bf2dic.dxf

Montaggi  
- 771720 giotto.pdf



## GiOtto 2 x dicr fixed base

Gi Otto with "swivelling" fixed central base for wall or ceiling installations. Perfect for lighting particular ambiances. Option to select luminous sources with different types of beams. Track-mounted adjustable-angle GiOtto with Omnitrack adapter

Housing: Die-cast zamak, with adjustable-angle bows and lamp-holders.

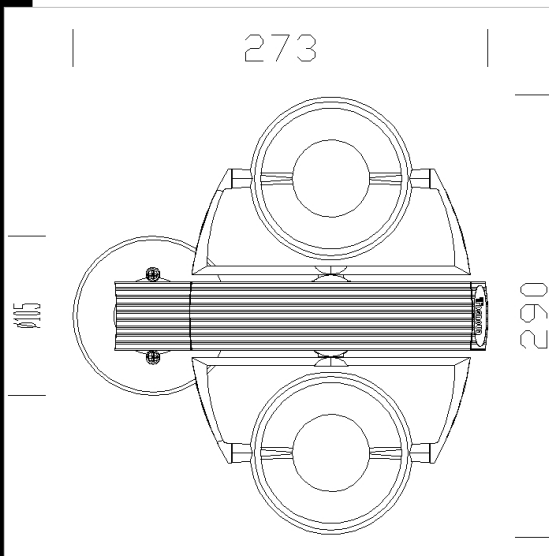
Coating: UV-stabilised, humidity-resistant acrylic-resin liquid paint.

Lampholder: Ceramic with silver-plated contacts.

Electric gear: Includes dimming transformer. Flexible wire. 2P+T terminal block (maximum allowed lead cross-section: 2.5 sqmm).

Regulations: Manufactured in accordance with standards EN60598 - 1 - CEI 34.21. Degree of protection in accordance with standards EN60529.

Lamps: Supply includes DICR 35/50-38° lamps. Possibility to select luminous sources, powers and light beam. A different lamp can be requested by specifying the desired item in the order.



Code	Gear	Kg	Lumen-K-CRI	WTot	Base	Colour
22074076-00	CTL	1.45	DICR 2x35 IRC---	76 W	GU5.3	SILVER
22074070-00	CTL	1.45	DICR 2x50 IRC-2850cd-3000K-	105 W	GU5.3	SILVER

### Accessories



- Alignment joint



- Conveyor



- Finishing ring for GiOtto



- Lamps for GiOtto DICR



- Coloured filter - Gi Otto

The reported luminous flux is the flux emitted by the light source with a tolerance of  $\pm 10\%$  compared to the indicated value. The W tot column indicates the total wattage absorbed by the system without exceeding 10% of the indicated