

Themis L165 - suspension adjustable with lens

Themis stands out for its simple design and high-quality lighting output delivered by latest generation LED sources.

Studied to deliver direct lighting, it is equipped with a highly efficient reflector (adjustable) or with lenses to enhance the light beam

Designed to be easily installed inside ceilings thanks to its mounting bracket, it is capable of illuminating full and empty spaces, bringing out all the potential of architectural details and giving rhythm and colour to important interiors.

Housing: made of die-cast aluminium with clear polycarbonate diffuser; supplied with cable.

Equipment: supplied with bracket for ceiling installation.

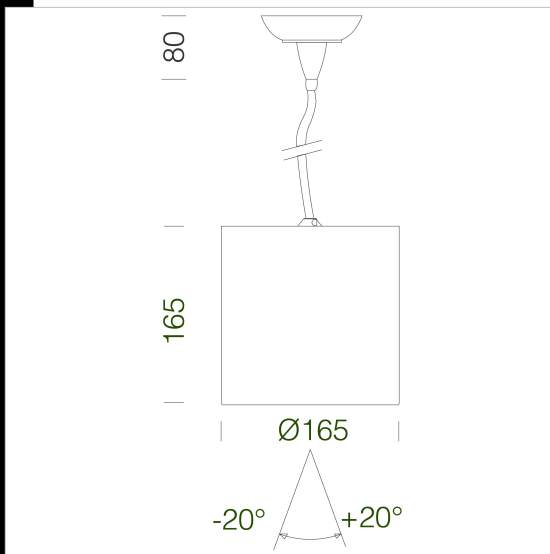
Lens: faceted, with high efficiency output and very low glare rate.

LED: Luminous flux maintenance 80%: 50.000h (L80B20).

Power factor >0.9

Photobiological safety class: exempt group EN62471.

High light output is guaranteed by specific anti-glare optics UGR>19



Code	Gear	Kg	Lumen-K-CRI	WTot	Colour
22071410-00	CLD	1.22	LED COB-2442lm-3000K-24°-CRI 85	24 W	BIANCO
22071470-00	CLD	1.25	LED COB-2442lm-3000K-24°-CRI 85	24 W	ARGENTO
22071410-1241	CLD-D-D	1.33	LED COB-2442lm-3000K-24°-CRI 85	25 W	BIANCO
22071470-1241	CLD CELL	1.25	LED COB-2442lm-3000K-24°-CRI 85	24 W	ARGENTO
22071410-68	CLD	1.22	LED COB-2626lm-4000K-24°-CRI 85	25 W	BIANCO
22071470-68	CLD	1.23	LED COB-2626lm-4000K-24°-CRI 85	24 W	ARGENTO
22071410-6841	CLD-D-D	1.45	LED COB-2626lm-4000K-24°-CRI 85	25 W	BIANCO
22071470-6841	CLD CELL-D-D	1.30	LED COB-2626lm-4000K-24°-CRI 85	24 W	ARGENTO

The reported luminous flux is the flux emitted by the light source with a tolerance of $\hat{A} \pm 10\%$ compared to the indicated value. The W tot column indicates the total wattage absorbed by the system without exceeding 10% of the indicated