



Download

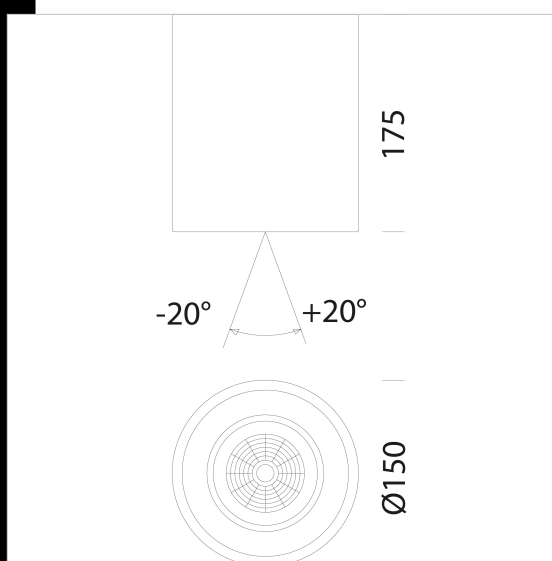
DXF 2D
- r150.dxf

Montaggi
- THEMIS_PLA rev3.pdf



Themis R150 - adjustable with optic

Themis stands out for its simple design and high-quality lighting output delivered by latest generation LED sources. Studied to deliver direct lighting, it is equipped with a highly efficient reflector (adjustable) or with lenses to enhance the light beam. Designed to be easily installed inside ceilings thanks to its mounting bracket, it is capable of illuminating full and empty spaces, bringing out all the potential of architectural details and giving rhythm and colour to important interiors. Housing: made of die-cast aluminium with clear polycarbonate diffuser. Equipment: supplied with bracket for ceiling installation. Reflector: high-efficiency metallised polycarbonate. LED: Luminous flux maintenance 80%: 50.000h (L80B20). Power factor >0.9. Photobiological safety class: exempt group EN62471.



Code	Gear	Kg	Lumen Output-K-CRI	WTot	Colour
22071010-00	CLD	0,96	LED COB-1819lm-3000K-50°-CRI>90	24 W	WHITE
22071070-00	CLD	0,94	LED COB-1819lm-3000K-50°-CRI>90	24 W	GREY
22071010-1241	CLD-D-D	1,02	LED COB-1819lm-3000K-50°-CRI>90	24 W	WHITE
22071070-1241	CLD CELL-D-D	1,00	LED COB-1819lm-3000K-50°-CRI>90	24 W	GREY
22071010-68	CLD	0,96	LED COB-1946lm-4000K-50°-CRI>90	24 W	WHITE
22071070-68	CLD	0,95	LED COB-1946lm-4000K-50°-CRI>90	24 W	GREY
22071010-6841	CLD-D-D	0,98	LED COB-1946lm-4000K-50°-CRI>90	24 W	WHITE
22071070-6841	CLD CELL-D-D	0,00	LED COB-1946lm-4000K-50°-CRI>90	24 W	GREY

The reported luminous flux is the flux emitted by the light source with a tolerance of ± 10% compared to the indicated value. The W tot column indicates the total wattage absorbed by the system without exceeding 10% of the indicated