

Argostar 1 susp. with cable - MASTERLED

Due to the technological advancement achieved by our company, we have been able to create a spotlight for interior lighting. Thanks to the special process used to make the cone, the spotlight's diffused light provides a no-glare illumination suitable for any architectural context.

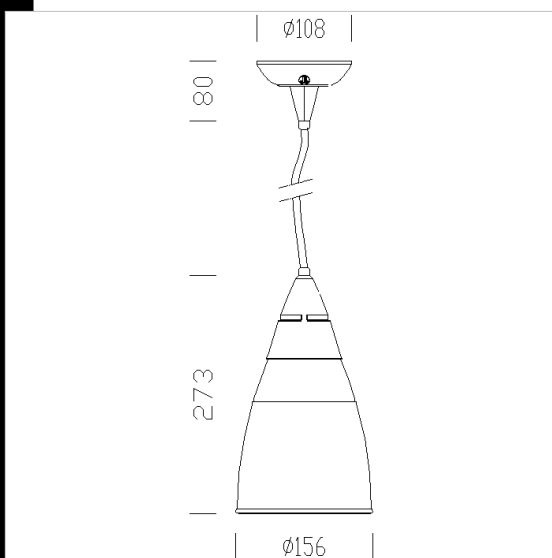
Housing: High-temperature resistant thermoplastic material. Includes a spherical polycarbonate cone diffuser.

Lampholder: Polycarbonate with phosphor bronze contacts

Electric gear: 230V-50Hz power supply; 2 pole wire, 0.75 sqmm cross section. 2P terminal block (maximum allowed lead cross section 2.5 sqmm.)

Regulations: Manufactured in accordance with standards EN60598 - CEI 34 -21. Degree of protection in accordance with standards EN60529.

Coloured ring supplied separately. With cable L=1.50 cm.



| Code | Gear | Kg | Watt | Base | Lamps | Colour |
|-------------|------------|------|------|------|-------|--------|
| 22070070-00 | CLD CELL-D | 0,85 | | | | SILVER |
| 22070077-00 | CLD CELL | 0,75 | | | | SILVER |
| 22070078-00 | CLD CELL | 0,80 | | | | SILVER |



Download

DXF 2D
- 70072.dxf