

Download

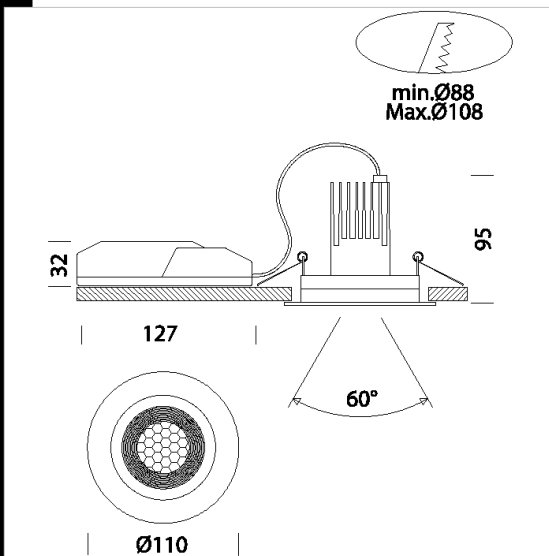
DXF 2D
- fenix1.dxf

Montaggi
- LOWGLARE FENIX -ISPOT1-2-3
rev0.pdf



Fenix 1

Housing: made in aluminum adjustable with springs.
Specific optical anti-glare for improved comfort.
Coating: Power-coated with a UV-resistant polyester paint.
Regulations: Manufactured in accordance with EN 60598-1-CEI 34.21 standards. Degree of protection in accordance with EN60529 standards.
Dimmable with IGBT dimmer dimming devices (for example, with halogen lights DIM IGBT)
Can be installed in a hole at least 88 mm up to Ø 108
Power factor: ≥ 0.9
Luminous flux maintenance 80% 50000h (L80B20)
Photobiological safety class: exempt group EN62471.
Lower lamp wattages means greater economy, more than 70% saving
Upon request: • available DIMM-DALI version. • available 2700K / 5000K LED version.



Code	Gear	Kg	Lumen Output-K-CRI	WTot	Colour
22068414-00	CLD	0,40	LED COB-990lm -4000K-38°-CRI 92	10 W	WHITE
22068413-00	CLD	0,40	LED COB-957lm -3000K-38°-CRI 92	10 W	WHITE
22068433-00	CLD	0,40	LED COB-990lm-4000K-38°-CRI 92	10 W	BLACK
22068433-39	CLD	0,40	LED COB-957lm -3000K-38°-CRI 92	10 W	BLACK

Accessori



- EM Kit Q

The reported luminous flux is the flux emitted by the light source with a tolerance of $\pm 10\%$ compared to the indicated value. The W tot column indicates the total wattage absorbed by the system without exceeding 10% of the indicated