



Download

DXF 2D
- ecodeimos.dxf



Eco Deimos

These small-size, have the advantage of requiring very basic maintenance. Very good value.

Optionally these fixtures can be installed on shooks (step 100)

Housing: Made of sheet steel.

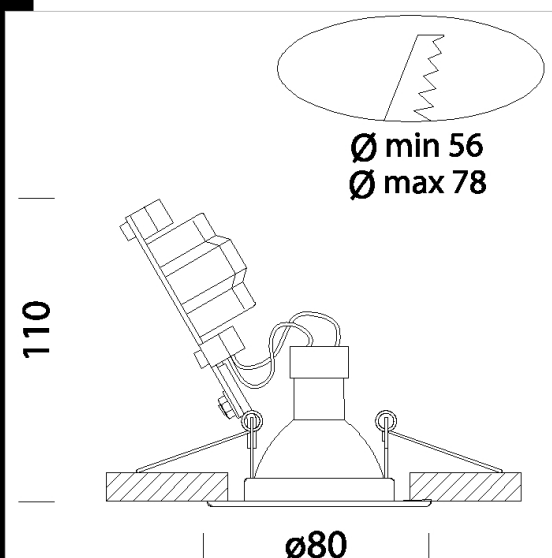
Lampholder: Ceramic with silver-plated contacts.

Coating: Humidity-resistant acrylic-resin liquid paint, UV-stabilised. A different galvanic finishing process is used for chromium-plated and polished brass versions.

Regulations: Manufactured in accordance with standards EN60598 - 1 - CEI 34.21. Degree of protection in accordance with standards EN60529.

Power factor: 0.8

Luminous flux maintenance 70% 25000h (L70B50)



Code	Gear	Kg	Watt	Base	Lamps	Colour
22068312-00	CLD CELL	0,23	LED white 8W	GU10	600lm-3000K - 36°-CRI 80	WHITE
22068310-00	CLD CELL	0,17	LED SMD 6W		500lm-3000K - 38°-CRI 80	WHITE
22068330-00	CLD CELL	0,20	LED SMD 6W		500lm-3000K - 38°-CRI 80	BLACK
22068360-00	CLD CELL	0,17	LED SMD 6W		500lm-3000K - 38°-CRI 80	CHROME
22068370-00	CLD CELL	0,17	LED SMD 6W		500lm-3000K - 38°-CRI 80	SILVER
22068390-00	CLD CELL	0,17	LED SMD 6W		500lm-3000K - 38°-CRI 80	BRASS