



## Eco Deimos - DIMM

These small-size, have the advantage of requiring very basic maintenance. Very good value.

Housing: Made of sheet steel.

Lampholder: Ceramic with silver-plated contacts.

Coating: Humidity-resistant acrylic-resin liquid paint, UV-stabilised. A different galvanic finishing process is used for chromium-plated and polished brass versions.

Regulations: Manufactured in accordance with standards EN60598 - 1 - CEI 34.21. Degree of protection in accordance with standards EN60529.

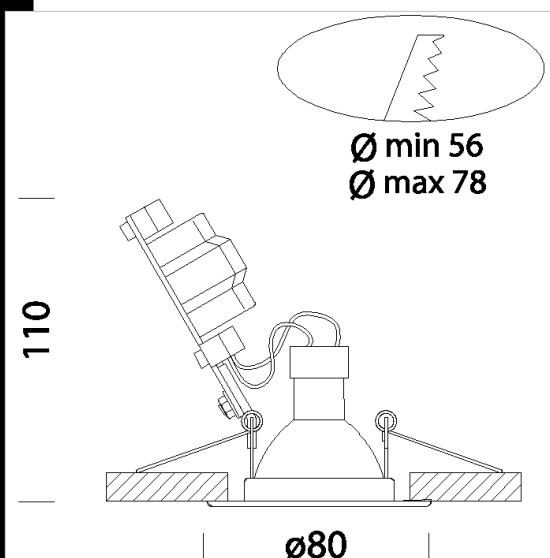
Power factor: 0.8

Luminous flux maintenance: 70% 25000h (L70B50)

### Download

DXF 2D  
- ecodeimos.dxf

Montaggi  
- ECO JANUS DEIMOS REV0.pdf



Code	Gear	Kg	Lumen Output-K-CRI	WTot	Colour
22068311-12	CLD-D	0,17	LED SMD-525lm-3000K-38°-CRI 80	6 W	WHITE
22068371-12	CLD-D	0,17	LED SMD-525lm-3000K-38°-CRI 80	6 W	SILVER
22068331-12	CLD-D	0,17	LED SMD-525lm-3000K-38°-CRI 80	6 W	BLACK
22068361-12	CLD-D	0,18	LED SMD-525lm-3000K-38°-CRI 80	6 W	CHROME
22068391-12	CLD-D	0,19	LED SMD-525lm-3000K-38°-CRI 80	6 W	BRASS

The reported luminous flux is the flux emitted by the light source with a tolerance of  $\pm 10\%$  compared to the indicated value. The W tot column indicates the total wattage absorbed by the system without exceeding 10% of the indicated