

Eco Deimos

These small-size, have the advantage of requiring very basic maintenance. Very good value.

Housing: Made of sheet steel.

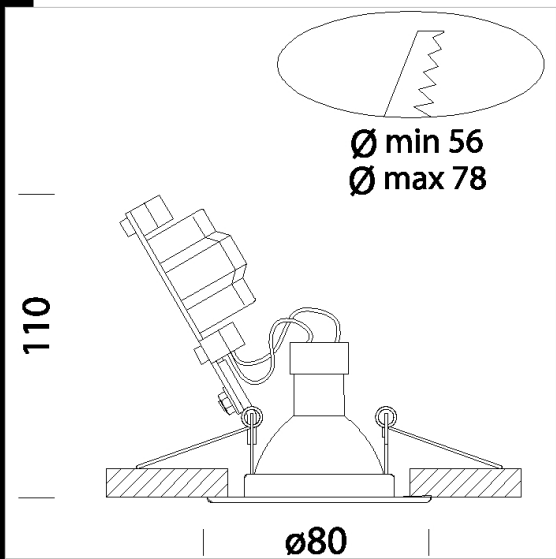
Lampholder: Ceramic with silver-plated contacts.

Coating: Humidity-resistant acrylic-resin liquid paint, UV-stabilised. A different galvanic finishing process is used for chromium-plated and polished brass versions.

Regulations: Manufactured in accordance with standards EN60598 – 1 - CEI 34.21. Degree of protection in accordance with standards EN60529.

Power factor: 0.8

Luminous flux maintenance: 70% 25000h (L70B50)



Download

DXF 2D
- ecodeimos.dxf

Montaggi
- ECO JANUS DEIMOS REV0.pdf

| Code | Gear | Kg | Lumen Output-K-CRI | WTot | Colour |
|-------------|------|------|--------------------------------|------|--------|
| 22068360-00 | CLD | 0.17 | LED SMD-525lm-3000K-38°-CRI 80 | 6 W | CHROME |
| 22068370-00 | CLD | 0.17 | LED SMD-525lm-3000K-38°-CRI 80 | 6 W | SILVER |
| 22068310-00 | CLD | 0.17 | LED SMD-525lm-3000K-38°-CRI 80 | 6 W | WHITE |
| 22068330-00 | CLD | 0.20 | LED SMD-525lm-3000K-38°-CRI 80 | 6 W | BLACK |
| 22068390-00 | CLD | 0.17 | LED SMD-525lm-3000K-38°-CRI 80 | 6 W | GOLDEN |
| 22068315-00 | CLD | 0.16 | LED SMD-800lm-3000K-38°-CRI 80 | 9 W | WHITE |
| 22068375-00 | CLD | 0.16 | LED SMD-800lm-3000K-38°-CRI 80 | 9 W | SILVER |
| 22068335-00 | CLD | 0.16 | LED SMD-800lm-3000K-38°-CRI 80 | 9 W | BLACK |
| 22068365-00 | CLD | 0.17 | LED SMD-800lm-3000K-38°-CRI 80 | 9 W | CHROME |
| 22068395-00 | CLD | 0.16 | LED SMD-800lm-3000K-38°-CRI 80 | 9 W | GOLDEN |

The reported luminous flux is the flux emitted by the light source with a tolerance of ± 10% compared to the indicated value. The W tot column indicates the total wattage absorbed by the system without exceeding 10% of the indicated