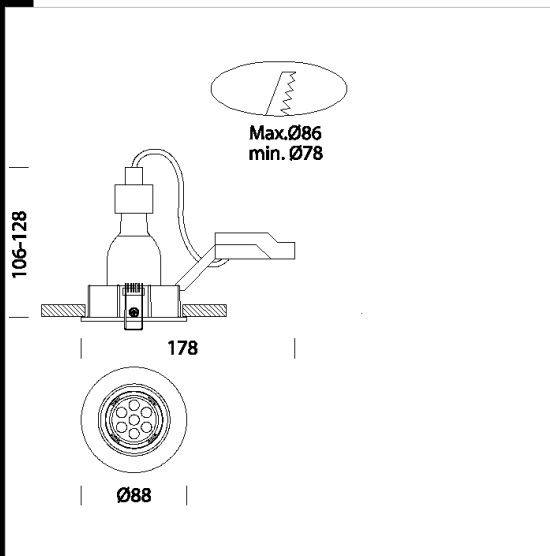


Swing LED

Housing: made from aluminium, adjustable.
 Coating: Power-coated with a UV-resistant polyester paint.
 Regulations: Manufactured in accordance with EN 60598-1-CEI 34.21 standards. Degree of protection in accordance with EN60529 standards.
 Power factor: ≥ 0.8
 Luminous flux maintenance 70% 25000h (L70B50)
 Photobiological safety class: exempt group EN62471.
 recessed $\varnothing 78/86\text{mm}$

Download

DXF 2D
 - swing.dxf
 Montaggi
 - SWING rev2.pdf



Code	Gear	Kg	Lumen Output-K-CRI	WTot	Base	Colour
22068210-00	CLD CELL	0,25	LED SMD-500lm-3000K-38°-CRI 80	6 W		WHITE
22068270-00	CLD CELL	0,25	LED SMD-500lm-3000K-38°-CRI 80	6 W		WHITE
22068215-00	CLD CELL	0,25	LED SMD-535lm-4000K-38°-CRI 80	6 W		WHITE
22068275-00	CLD CELL	0,25	LED SMD-535lm-4000K-38°-CRI 80	6 W		WHITE
22068211-00	CLD CELL-DI	0,25	LED SMD-500lm-3000K-38°-CRI 80	6 W		WHITE
22068271-00	CLD CELL-DI	0,27	LED SMD-500lm-3000K-38°-CRI 80	6 W		WHITE
22068217-00	CLD CELL-DI	0,25	LED SMD-535lm-4000K-38°-CRI 80	6 W		WHITE
22068277-00	CLD CELL-DI	0,27	LED SMD-535lm-4000K-38°-CRI 80	6 W		WHITE
22068272-00	CLD CELL	0,25	LED-600lm-3000K-36°-CRI 80	6 W	GU10	WHITE
22068212-00	CLD CELL	0,27	LED-600lm-3000K-36°-CRI 80	8 W	GU10	WHITE
22068313-00	CLD CELL-DI	0,24	LED COB-600lm-3000K-38°-CRI 80	6 W	GU10	WHITE
22068373-00	CLD CELL-DI	0,25	LED COB-600lm-3000K-38°-CRI 80	6 W	GU10	WHITE
22068214-00	CLD CELL	0,70	LED SMD-800lm-3000K-38°-CRI 80	9 W		WHITE
22068274-00	CLD CELL	0,25	LED SMD-800lm-3000K-38°-CRI 80	9 W		WHITE
22068216-00	CLD CELL	0,70	LED SMD-856lm-4000K-38°-CRI 80	9 W		WHITE
22068276-00	CLD CELL	0,25	LED SMD-856lm-4000K-38°-CRI 80	9 W		WHITE

The reported luminous flux is the flux emitted by the light source with a tolerance of $\pm 10\%$ compared to the indicated value. The W tot column indicates the total wattage absorbed by the system without exceeding 10% of the indicated