



Download

DXF 2D
- ecojanus.dxf

Montaggi
- ECO JANUS DEIMOS REV0.pdf



Eco Janus

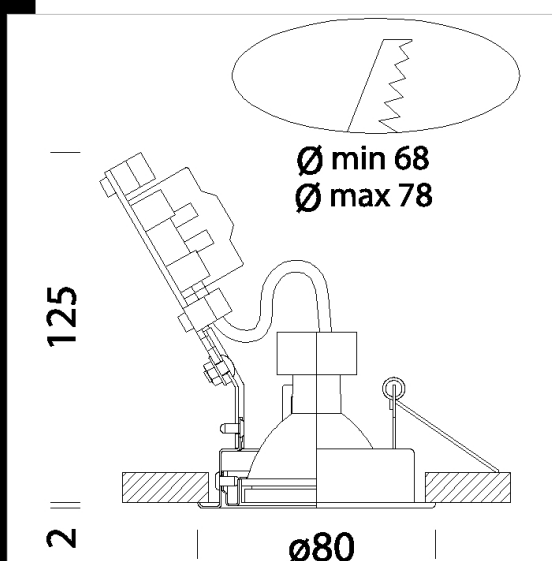
Small-size, adjustable-angle, recessed spotlights, made of steel.
Housing: Steel, with a steel bracket holding the terminal block. Includes springs for recessed mounting.

Coating: Humidity-resistant acrylic-resin liquid paint, UV-stabilised. A different galvanic finishing process is used for chromium-plated and polished brass versions.

Regulations: Manufactured in accordance with standards EN60598 – 1 - CEI 34.21. Degree of protection in accordance with standards EN60529.

Power factor: 0.8

Luminous flux maintenance 70% 25000h (L70B50)



Code	Gear	Kg	Lumen Output-K-CRI	WTot	Colour
22068110-00	CLD	0,20	LED SMD-525lm-3000K-38°-CRI 80	6 W	WHITE
22068130-00	CLD	0,20	LED SMD-525lm-3000K-38°-CRI 80	6 W	BLACK
22068160-00	CLD	0,20	LED SMD-525lm-3000K-38°-CRI 80	6 W	CHROME
22068170-00	CLD	0,20	LED SMD-525lm-3000K-38°-CRI 80	6 W	SILVER
22068190-00	CLD	0,20	LED SMD-525lm-3000K-38°-CRI 80	6 W	GOLDEN
22068115-00	CLD	0,19	LED SMD-800lm-3000K-38°-CRI 80	9 W	WHITE
22068175-00	CLD	0,12	LED SMD-800lm-3000K-38°-CRI 80	9 W	SILVER
22068135-00	CLD	0,19	LED SMD-800lm-3000K-38°-CRI 80	9 W	BLACK
22068165-00	CLD	0,12	LED SMD-800lm-3000K-38°-CRI 80	9 W	CHROME
22068195-00	CLD	0,19	LED SMD-800lm-3000K-38°-CRI 80	9 W	GOLDEN

The reported luminous flux is the flux emitted by the light source with a tolerance of $\pm 10\%$ compared to the indicated value. The W tot column indicates the total wattage absorbed by the system without exceeding 10% of the indicated