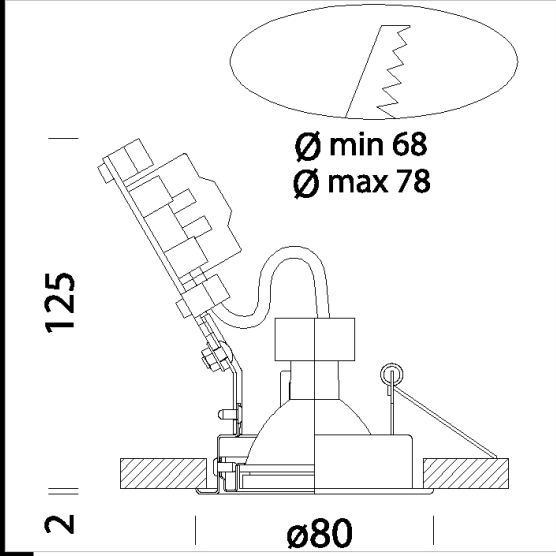




Eco Janus

Small-size, adjustable-angle, recessed spotlights, made of steel.
 Optionally these fixtures can be installed on shooks (step 100)
 Housing: Steel, with a steel bracket holding the terminal block. Includes springs for recessed mounting.
 Coating: Humidity-resistant acrylic-resin liquid paint, UV-stabilised,. A different galvanic finishing process is used for chromium-plated and polished brass versions.
 Regulations: Manufactured in accordance with standards EN60598 – 1 - CEI 34.21. Degree of protection in accordance with standards EN60529.
 Power factor: 0.8
 Luminous flux maintenance: 70% 25000h (L70B50)



Code	Gear	Kg	Watt	Base	Lamps	Colour
22068110-00	CLD CELL	0,20	LED SMD 6W		500lm-3000K - 38°-CRI 80	WHITE
22068130-00	CLD CELL	0,20	LED SMD 6W		500lm-3000K - 38°-CRI 80	BLACK
22068160-00	CLD CELL	0,20	LED SMD 6W		500lm-3000K - 38°-CRI 80	CHROME
22068170-00	CLD CELL	0,20	LED SMD 6W		500lm-3000K - 38°-CRI 80	SILVER
22068190-00	CLD CELL	0,20	LED SMD 6W		500lm-3000K - 38°-CRI 80	BRASS
22068112-00	CLD CELL	0,20	LED white 8W	GU10	600lm-3000K - 36°-CRI 80	WHITE

Download
 DXF 2D
 - ecojanus.dxf