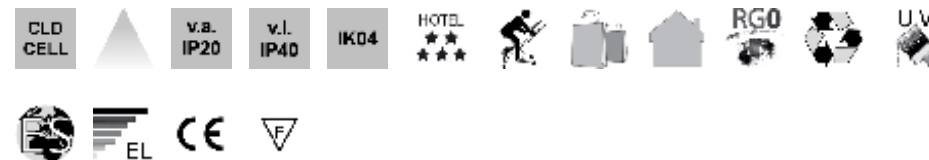
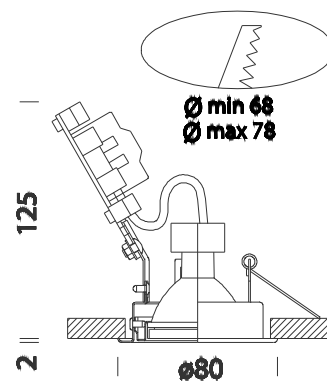


Eco Janus



Code	Gear	Kg	Colour	Dimensions	W Tot	lamp
22068110-00	CLD CELL	0.25	white	0x0x125 Ø80	6	LED white 6W-GU10-450lm-3000K - 36°-CRI 80
22068170-00	CLD CELL	0.25	met. silver	0x0x125 Ø80	6	LED white 6W-GU10-450lm-3000K - 36°-CRI 80
22068130-00	CLD CELL	0.25	black	0x0x125 Ø80	6	LED white 6W-GU10-450lm-3000K - 36°-CRI 80
22068160-00	CLD CELL	0.25	chrome	0x0x125 Ø80	6	LED white 6W-GU10-450lm-3000K - 36°-CRI 80
22068190-00	CLD CELL	0.25	shiny brass	0x0x125 Ø80	6	LED white 6W-GU10-450lm-3000K - 36°-CRI 80
22068111-12	CLD CELL-D	0.25	white	0x0x125 Ø80	7	LED white 7W-GU10-520lm-3000K - 36°-CRI 80
22068112-00	CLD CELL	0.25	white	0x0x125 Ø80	8	LED white 8W-GU10-600lm-3000K - 36°-CRI 80

Small-size, adjustable-angle, recessed spotlights, made of steel.

Optionally these fixtures can be installed on shooks (step 100)

Housing: Steel, with a steel bracket holding the terminal block. Includes springs for recessed mounting.

Coating: Humidity-resistant acrylic-resin liquid paint, UV-stabilised,. A different galvanic finishing process is used for chromium-plated and polished brass versions.

Regulations: Manufactured in accordance with standards EN60598 - 1 - CEI 34.21. Degree of protection in accordance with standards EN60529.

Power factor: ≥ 0.8

Luminous flux maintenance 70% 25000h (L70B50)