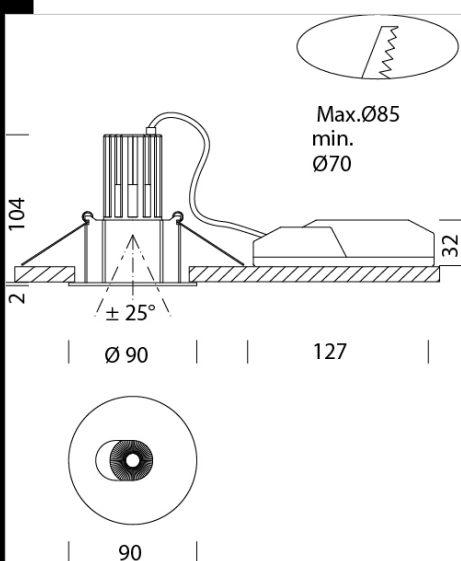


iSpot Hotel 3

Housing: Die-cast aluminium
 Reflector: In metalized polycarbonate to high rendering.
 Regulations: Produced according to applicable EN60598 - CEI 34 - 21 standards, degree of protection according to EN 60529 standards
 Power factor: ≥ 0.9
 Luminous flux maintenance 80%: 50.000h (L80B20).
 Photobiological safety class: exempt group EN62471.

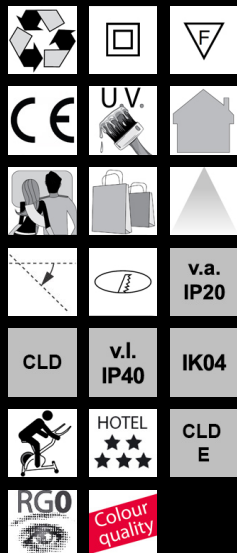


Code	Gear	Kg	Lumen Output-K-CRI	WTot	Colour
22067910-00	CLD	0,42	LED COB-380lm-3000K-15°-CRI 92	10 W	WHITE
22067911-00	CLD	0,43	LED COB-441lm-4000K-15°-CRI 92	10 W	WHITE

Accessori



- EM Kit Q



Download

DXF 2D
 - ispototel3.dxf

The reported luminous flux is the flux emitted by the light source with a tolerance of $\pm 10\%$ compared to the indicated value. The W tot column indicates the total wattage absorbed by the system without exceeding 10% of the indicated