

## Logan LED

Fosnova offers a wide range of recessed luminaires designed to meet the increasingly demanding lighting needs of shopping centres, stores and museums. The different designs and specific characteristics of each luminaire enable to meet the multiple needs of each single space.

The Logan line of products includes an adjustable fixture with a soft and visually comfortable light capable of creating beautiful spaces for people to enjoy and where shopping is even more pleasant.

Housing: Adjustable angle, made of die-cast aluminium.

Reflector: high-efficiency prismatic and polished aluminium.

Painting: dust painted, using polyester epoxy paint to withstand UV rays.

On request: DIMM DALI version.

Standards: Products complying with EN 60598-1-CEI 34.21 standards, with a degree of protection in compliance with EN 60529 standards.

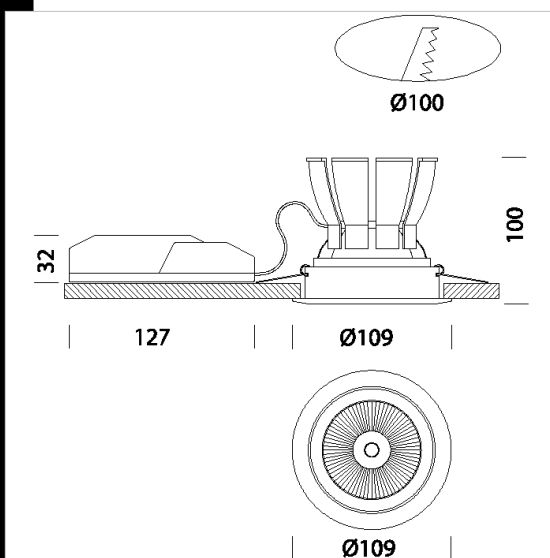
LED: 1150lm - 3000K - CRI 80 - 40° - DIM IGBT

LED: 1170lm - 4000K - CRI 80 - 40° - DIM IGBT

Power factor: 0.9

Photobiological safety class: Exempt group.

Luminous flux maintenance 70%: 50.000h (L70B50).



Code	Gear	Kg	Watt	Base	Lamps	Colour
22067810-00	CLD CELL-DI	0,45	LED COB 12W	-	1150lm-3000K-CRI 80	WHITE



### Download

DXF 2D  
- logan.dxf

Montaggi  
- logan.pdf