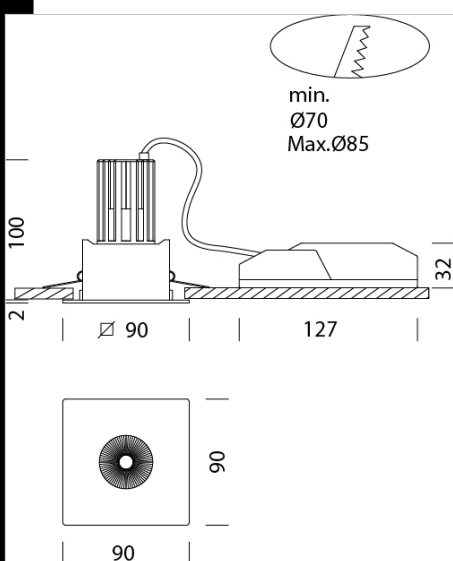


iSpot Hotel 2 - DIMM

Housing: Die-cast aluminium
 Reflector: In metalized polycarbonate to high rendering.
 Regulations: Produced according to applicable EN60598 - CEI 34 - 21 standards, degree of protection according to EN 60529 standards
 Power factor: >= 0.9
 Luminous flux maintenance 80%: 50.000h (L80B20).
 Photobiological safety class: exempt group EN62471.



Code	Gear	Kg	Lumen Output-K-CRI	WTot	Colour
22067712-00	CLD CELL-DI	0,43	LED COB-413lm-3000K-15°-CRI 92	10 W	BIANCO
22067713-00	CLD CELL-DI	0,43	LED COB-478lm-4000K-15°-CRI 92	10 W	BIANCO
22067712-1241	CLD CELL-D-D	0,37	LED COB-413lm-3000K-15°-CRI 92	10 W	BIANCO
22067713-1241	CLD CELL-D-D	0,45	LED COB-478lm-4000K-15°-CRI 92	10 W	BIANCO



Download

DXF 2D
 - ispothotel2.dxf

The reported luminous flux is the flux emitted by the light source with a tolerance of ± 10% compared to the indicated value. The W tot column indicates the total wattage absorbed by the system without exceeding 10% of the indicated