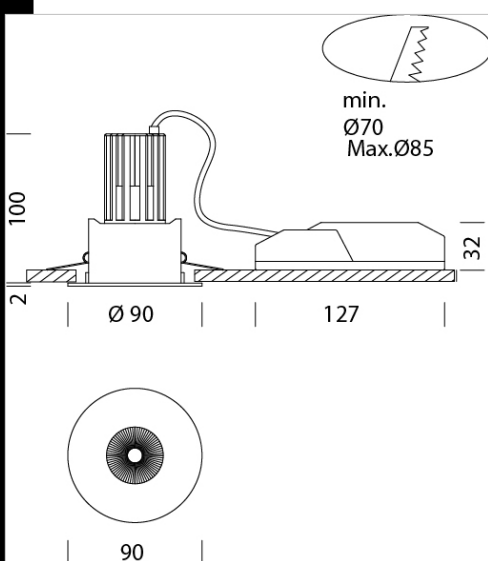
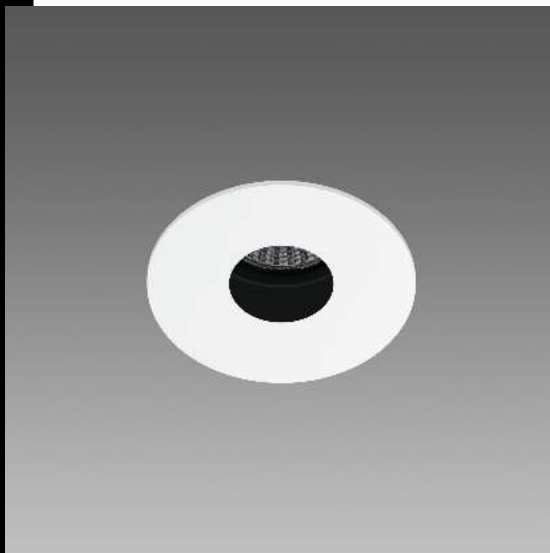


iSpot Hotel 1 - DIMM

Housing: Die-cast aluminium
 Reflector: In metalized polycarbonate to high rendering.
 Regulations: Produced according to applicable EN60598 - CEI 34 - 21 standards, degree of protection according to EN 60529 standards
 Power factor: ≥ 0.9
 Luminous flux maintenance 80%: 50.000h (L80B20).
 Photobiological safety class: exempt group EN62471.



| Code | Gear | Kg | Lumen Output-K-CRI | WTot | Colour |
|---------------|--------------|------|--------------------------------|------|--------|
| 22067710-00 | CLD CELL-DI | 0,42 | LED COB-413lm-3000K-15°-CRI 92 | 10 W | BIANCO |
| 22067711-00 | CLD CELL-DI | 0,43 | LED COB-478lm-4000K-15°-CRI 92 | 10 W | BIANCO |
| 22067710-1241 | CLD CELL-D-D | 0,45 | LED COB-413lm-3000K-15°-CRI 92 | 10 W | BIANCO |
| 22067711-1241 | CLD CELL-D-D | 0,45 | LED COB-478lm-4000K-15°-CRI 92 | 10 W | BIANCO |



Download

DXF 2D
 - ispothotel1.dxf

The reported luminous flux is the flux emitted by the light source with a tolerance of $\pm 10\%$ compared to the indicated value. The W tot column indicates the total wattage absorbed by the system without exceeding 10% of the indicated