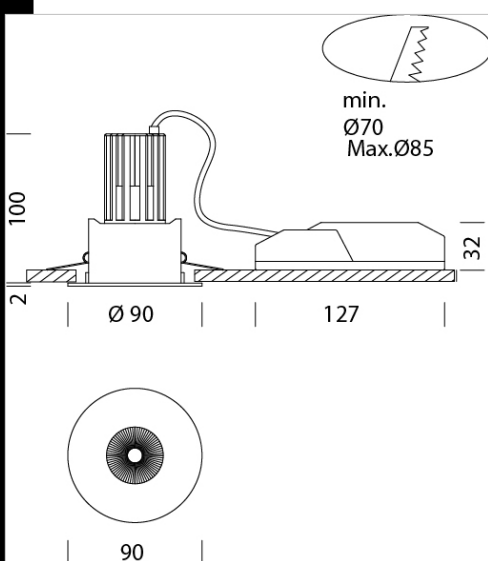


## iSpot Hotel 1 - DIMM

Housing: Die-cast aluminium  
 Reflector: In metalized polycarbonate to high rendering.  
 Regulations: Produced according to applicable EN60598 - CEI 34 - 21 standards, degree of protection according to EN 60529 standards  
 Power factor:  $\geq 0.9$   
 Luminous flux maintenance 80%: 50.000h (L80B20).  
 Photobiological safety class: exempt group EN62471.



Code	Gear	Kg	Lumen Output-K-CRI	WTot	Colour
22067710-00	CLD	0,42	LED COB-413lm-3000K-15°-CRI 92	10 W	WHITE
22067711-00	CLD	0,43	LED COB-478lm-4000K-15°-CRI 92	10 W	WHITE

### Accessori



- EM Kit Q



### Download

DXF 2D  
 - ispothotel1.dxf

The reported luminous flux is the flux emitted by the light source with a tolerance of  $\pm 10\%$  compared to the indicated value. The W tot column indicates the total wattage absorbed by the system without exceeding 10% of the indicated