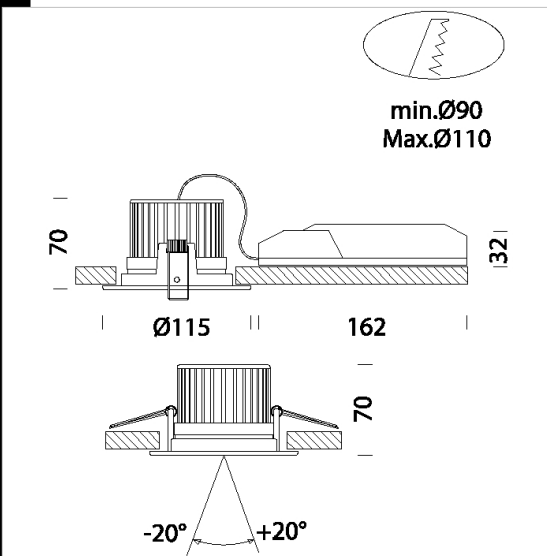


Stella - Dark office 65°

Housing: fixed downlight in die cast aluminium complete with spring clips for recessed mounting  
 Reflector: high-efficiency prismatic and polished aluminium.  
 Installation: Self LED is equipped with galvanised steel support brackets, with housing for springs for attachment to the false ceilings.  
 Painting: dust painted, using polyester epoxy paint to withstand UV rays.  
 Regulations: Manufactured in accordance with standards EN60598 – CEI 34 –21. Degree of protection in accordance with standards EN60529.  
 LED: 1000lm - 11W - 3000K - CRI>80 - DIM IGBT  
 Power factor: 0.9  
 Photobiological safety class: Exempt group.  
 Luminous flux maintenance 70%: 50.000h (L70B50).  
 recessed Ø 90/110mm



Code	Gear	Kg	Watt	Base	Lamps	Colour
22067610-09	CLD CELL-D-E	1,25	LED COB 11W	-	1000lm-3000K-CRI>80	WHITE

CLD CELL-D-E

UV.

EM

A+B=

DIMM

IK04

v.l. IP40

CLD CELL-D

v.a. IP20

20°

Download  
 DXF 2D  
 - stella.dxf