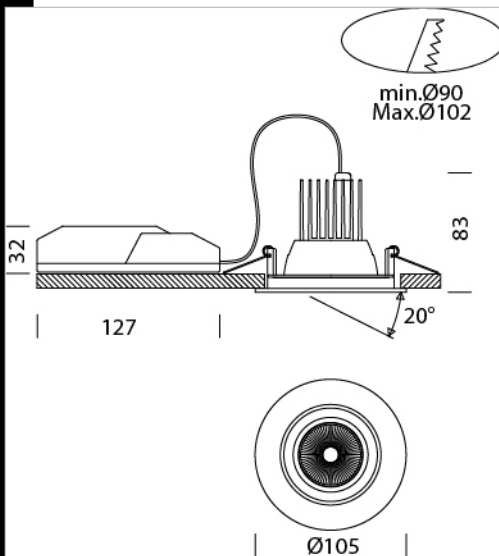


## iSpot 4

Housing: in die-cast aluminium with heat sink.  
 Coating: epoxy polyester powder coating resistant to UV rays.  
 Optics: anti-glare screened optics.  
 Standard gear: complete with nuts and screws in anti-corrosion stainless steel.  
 Fixture equipped with trailing edge IGBT dimmer.  
 Standard gear: complete with nuts and screws in anti-corrosion stainless steel.  
 Silicone rubber protection gasket compliant with French low-energy building standards (BBC).  
 Can be installed in a hole at least 90 mm up to  $\varnothing 102$   
 LED: 80% luminous flux maintenance at 50,000 hrs (L80B20).  
 DIM IGBT (dimmer must be specific for "LED+driver" configurations and equipped with adjustment for minimum brightness level).



Code	Gear	Kg	Lumen Output-K-CRI	WTot	Colour
22067510-00	CLD CELL-DI	0,44	LED COB-957lm-3000K-38°-CRI 92	10 W	WHITE
22067511-00	CLD CELL-DI	0,44	LED COB-990lm-4000K-38°-CRI 92	10 W	WHITE
22067510-1241	CLD CELL-D-D	0,36	LED COB-957lm-3000K-38°-CRI 92	10 W	WHITE
22067511-1241	CLD CELL-D-D	0,38	LED COB-990lm-4000K-38°-CRI 92	12 W	WHITE
22067510-09	CLD CELL-DI-E	0,85	LED COB-957lm-3000K-38°-CRI 92	10 W	WHITE
22067511-09	CLD CELL-DI-E	0,85	LED COB-990lm-4000K-38°-CRI 92	10 W	WHITE
22067510-31	CLD CELL-DI-E	0,85	LED COB-957lm-3000K-38°-CRI 92	10 W	WHITE
22067511-31	CLD CELL-DI-E	0,85	LED COB-990lm-4000K-38°-CRI 92	10 W	WHITE



### Download

DXF 2D  
 - ispot4.dxf

Montaggi  
 - ISPOT4 IP54 rev2.pdf

The reported luminous flux is the flux emitted by the light source with a tolerance of  $\pm 10\%$  compared to the indicated value. The W tot column indicates the total wattage absorbed by the system without exceeding 10% of the indicated