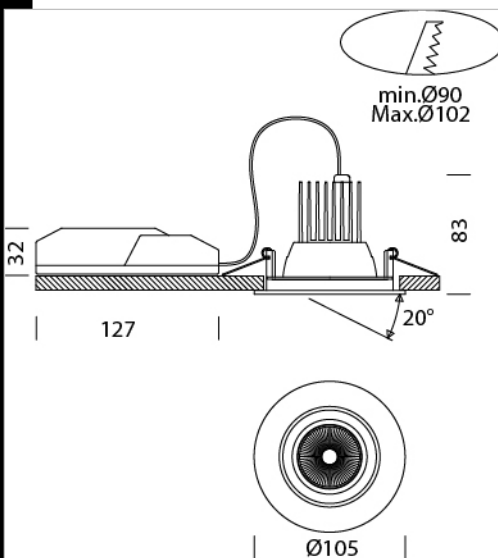


iSpot 4



Housing: in die-cast aluminium with heat sink.
 Coating: epoxy polyester powder coating resistant to UV rays.
 Optics: anti-glare screened optics.
 Standard gear: complete with nuts and screws in anti-corrosion stainless steel.
 Fixture equipped with trailing edge IGBT dimmer.
 Standard gear: complete with nuts and screws in anti-corrosion stainless steel.
 Silicone rubber protection gasket compliant with French low-energy building standards (BBC).
 Can be installed in a hole at least 90 mm up to $\varnothing 102$
 LED: 80% luminous flux maintenance at 50,000 hrs (L80B20).
 DIM IGBT (dimmer must be specific for "LED+driver" configurations and equipped with adjustment for minimum brightness level).



Code	Gear	Kg	Lumen Output-K-CRI	WTot	Colour
22067510-00	CLD	0,44	LED COB-957lm-3000K-38°-CRI 92	10 W	WHITE
22067511-00	CLD	0,44	LED COB-990lm-4000K-38°-CRI 92	10 W	WHITE

Accessori



- EM Kit Q



- Protective grig



Download

DXF 2D
 - ispot4.dxf
 Montaggi
 - ISPOT4 IP54 rev2.pdf

The reported luminous flux is the flux emitted by the light source with a tolerance of $\pm 10\%$ compared to the indicated value. The W tot column indicates the total wattage absorbed by the system without exceeding 10% of the indicated