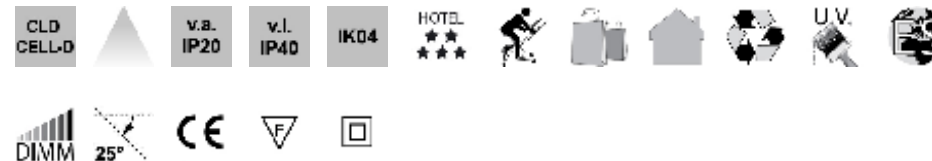
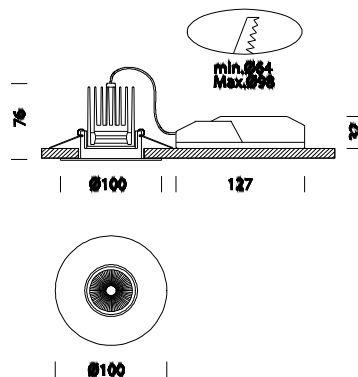


Low glare 9 - ring - DIMM



Code	Gear	Kg	Colour	Dimensions	W Tot	lamp
22067110-00	CLD CELL-D	0.40	white	0x0x55 Ø100	8	LED 8W-800lm-3000K - 38°-CRI 83
22067170-00	CLD CELL-D	0.40	met. silver	0x0x55 Ø100	8	LED 8W-800lm-3000K - 38°-CRI 83
22067160-00	CLD CELL-D	0.40	chrome	0x0x55 Ø100	8	LED 8W-800lm-3000K - 38°-CRI 83
22067180-00	CLD CELL-D	0.40	bronze	0x0x55 Ø100	8	LED 8W-800lm-3000K - 38°-CRI 83

Low Glare represents the evolution of recessed spotlights. The main advantages of this latest generation lighting fixture are energy-saving, great flexibility and superior lighting quality.

With latest generation 7W LEDs you can save up to 80% energy compared to older products, and also have up to 40,000 hours life, guaranteeing excellent light flux maintenance.

- Compatible with the most common dimming devices (for example, with halogen lights)

- Fully assembled and ready to be installed

Housing: made in aluminum adjustable with springs.

Specific optical anti-glare for improved comfort.

Can be installed in a hole at least 64mm up to Ø 98mm.

LED 8W - 230V - 800lm - 3000k - CRI 83 - 40000h

Power factor: ≥ 0.9

Luminous flux maintenance 70% 40000h (L70B50)