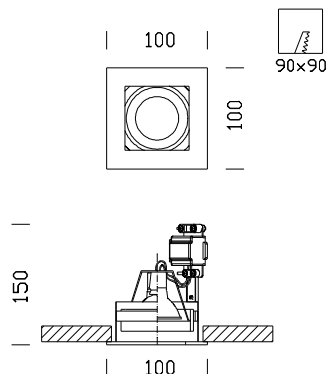


Fénix Q - MASTERLED



Code	Gear	Kg	Colour	Dimensions	lamp
22066911-00	CLD S+L	0.30	white	100x100x150	MASTERLED 10W-GU5.3-1920cd-3000K-24°

Recessed adjustable small size. Ideal for installation in shops, showrooms or exhibition halls.

Housing: sheet steel.

Coating: acrylic spray paint to water, humidity-resistant and UV stabilized.

Standards: Produced according to EN 60598-1-CEI 34-21 Degree of protection according to EN 60529.

MASTERLED: particularly suited for public spaces such as reception halls, entrance lobbies, corridors, stairways and bathrooms where lights stay on all day, 40,000 hours of lifespan, and 80% energy saving compared to ALO 35W.

MASTERLED 7W - 3000K - 1920cd - 24°