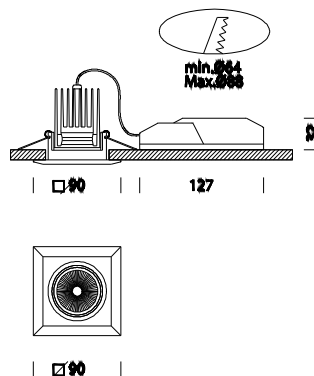


## Low glare 3 - square - DIMM



Code	Gear	Kg	Colour	Dimensions	W Tot	lamp
22066811-00	CLD CELL-D	0.30	white	90x90x73	8	LED 8W-800lm-3000K - 38°-CRI 83
22066871-00	CLD CELL-D	0.30	aluminium	90x90x73	8	LED 8W-800lm-3000K - 38°-CRI 83

Low Glare represents the evolution of recessed spotlights. The main advantages of this latest generation lighting fixture are energy-saving, great flexibility and superior lighting quality.

With latest generation 7W LEDs you can save up to 80% energy compared to older products, and also have up to 40,000 hours life, guaranteeing excellent light flux maintenance.

The high quality of the Lowglare spotlights is also guaranteed by specific colour temperatures (3.000K, 4.000K, 2.500K, 5.600K and 13.000K) and anti-glare optics.

- Compatible with the most common dimming devices (for example, with halogen lights)

- Fully assembled and ready to be installed

Housing: made in aluminum adjustable with springs.

Specific optical anti-glare for improved comfort.

Housing: made in aluminum adjustable with springs.

Specific optical anti-glare for improved comfort.

On request: 38° with subcode -0089. On request: 60° with subcode -0032.

Can be installed in a hole at least 64 mm up to Ø 88mm

LED 8W - 230V - 800lm - 3000k - CRI 83 - 40000h

Power factor: ≥ 0.9

Luminous flux maintenance 70% 40000h (L70B50)