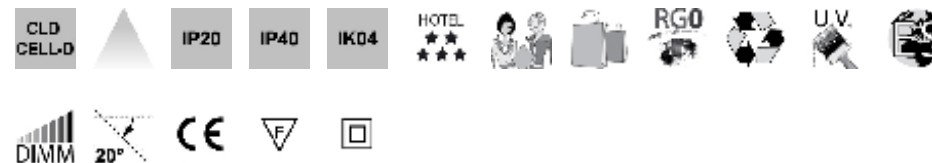
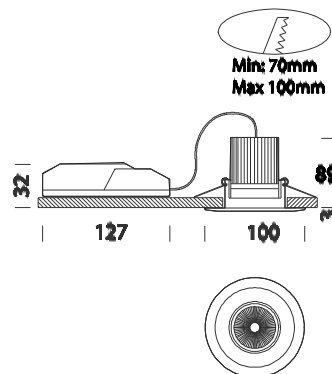


Low Glare 10 - 10.000K



Code	Gear	Kg	Colour	Dimensions	W Tot	lamp
22066719-00	CLD CELL-D	0.40	white	0x0x95 Ø110	11	LED 11W-1000lm-10000K - 18°
22066779-00	CLD CELL-D	0.40	aluminium	0x0x95 Ø110	11	LED 11W-1000lm-10000K - 18°

Low Glare represents the evolution of recessed spotlights. The main advantages of this latest generation lighting fixture are energy-saving, great flexibility and superior lighting quality.

With latest generation 7W LEDs you can save up to 80% energy compared to older products, and also have up to 40,000 hours life, guaranteeing excellent light flux maintenance.

The high quality of the Lowglare spotlights is also guaranteed by specific colour temperatures (10.000K) and anti-glare optics.

- Compatible with the most common dimming devices (for example, with halogen lights DIM IGBT)

- Fully assembled and ready to be installed

Housing: made in aluminum adjustable with springs.

Specific optical anti-glare for improved comfort.

Coating: Power-coated with a UV-resistant polyester paint.

Regulations: Manufactured in accordance with EN 60598-1-CEI 34.21 standards. Degree of protection in accordance with EN60529 standards.

Can be installed in a hole at least 70mm up to Ø 100mm. Equipped with ring adapter to ensure better sealing.

On request: 60° with subcode -0032 and 25° with subcode 0031

LED 12W - 1000lm 10000k - 40000h

Power factor: ≥ 0.9

Luminous flux maintenance 70% 40000h (L70B50)

Photobiological safety class: exempt group EN62471.

Lower lamp wattages means greater economy, more than 80% saving

recessed Ø 70/100mm