

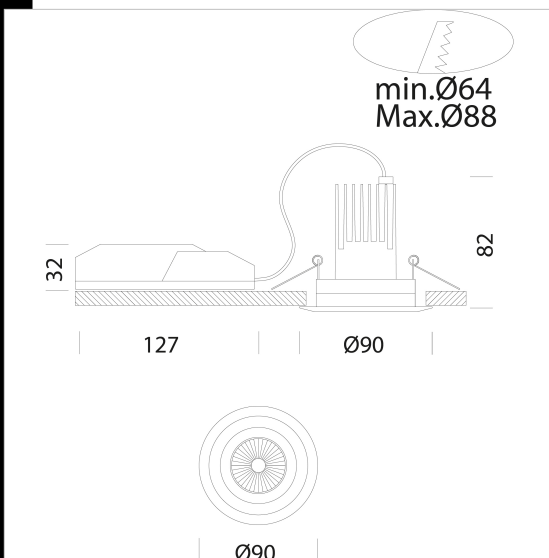
Download

DXF 2D
- low2.dxf

Montaggi
- LOWGLARE FENIX -ISPT1-2-3
rev0.pdf

Low glare 2

Housing: made in aluminum adjustable with springs.
 Specific optical anti-glare for improved comfort.
 Coating: Power-coated with a UV-resistant polyester paint.
 Regulations: Manufactured in accordance with EN 60598-1-CEI 34.21 standards. Degree of protection in accordance with EN60529 standards.
 Specific optical anti-glare for improved comfort.
 Can be installed in a hole at least 64 mm up to Ø 88
 On request: 25° with subcode -0031. On request: 60° with subcode -0032.
 Power factor: 0.9
 Luminous flux maintenance 80%: 50000h (L80B20).
 Photobiological safety class: exempt group EN62471.
 Lower lamp wattages means greater economy, more than 80% saving



Code	Gear	Kg	Lumen Output-K-CRI	WTot	Colour
22061472-00	CLD-D	0,30	LED COB-900lm-2750K-38°-CRI 92	10 W	ALUMINIUM
22061477-00	CLD	0,30	LED COB-990lm-3000K-25°-CRI 92	10 W	ALUMINIUM
22061417-00	CLD	0,30	LED COB-990lm-3000K-25°-CRI 92	10 W	WHITE
22066777-00	CLD	0,35	LED COB-990lm-3000K-38°-CRI 92	10 W	ALUMINIUM
22066717-00	CLD	0,30	LED COB-990lm-3000K-38°-CRI 92	10 W	WHITE
22061479-00	CLD	0,30	LED COB-1100lm-4000K-38°-CRI 92	10 W	ALUMINIUM
22061419-00	CLD	0,29	LED COB-1100lm-4000K-38°-CRI 92	10 W	WHITE

Accessori



- EM Kit Q



- Protective grig

The reported luminous flux is the flux emitted by the light source with a tolerance of ± 10% compared to the indicated value. The W tot column indicates the total wattage absorbed by the system without exceeding 10% of the indicated