

Petit 50 - adjustable

These very small recessed spotlights are ideal whenever the surface's thickness is moderate and the fixture's overall size in the upper part must be minimum. Suitable for interior decoration, furniture, kitchens, shelves.

Regulations: Manufactured in accordance with standards EN60598 - 1 - CEI 34.21. Degree of protection in accordance with standards EN60529.

LED:

3500K - 350mA = 1.2W - 90lm

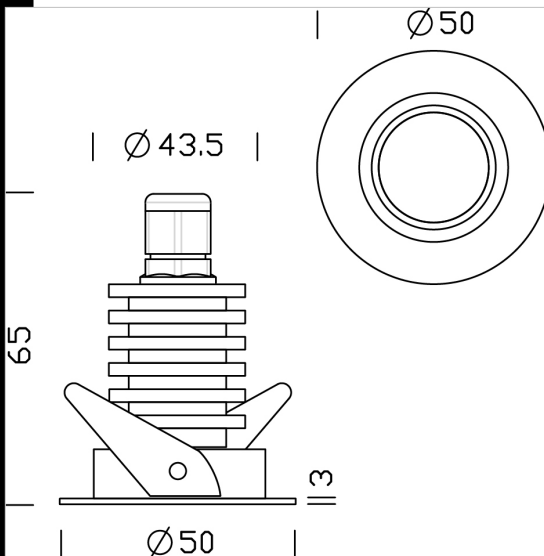
3500K - 500mA = 2W - 120lm

3500K - 700mA = 3W - 150lm

Power supply not included.

Download

DXF 2D
- pet50or.dxf



Code	Gear	Kg	Lumen Output-K-CRI	WTot	Colour
22066565-00	CLD S+L	0.20	LED 2.6W white-170lm-6000K-	2 W	CHROME

Accessories



- 700mA LED power supply

The reported luminous flux is the flux emitted by the light source with a tolerance of $\pm 10\%$ compared to the indicated value. The W tot column indicates the total wattage absorbed by the system without exceeding 10% of the indicated