

## Petit 38

These very small recessed spotlights are ideal whenever the surface's thickness is moderate and the fixture's overall size in the upper part must be minimum. Suitable for interior decoration, furniture, kitchens, shelves.

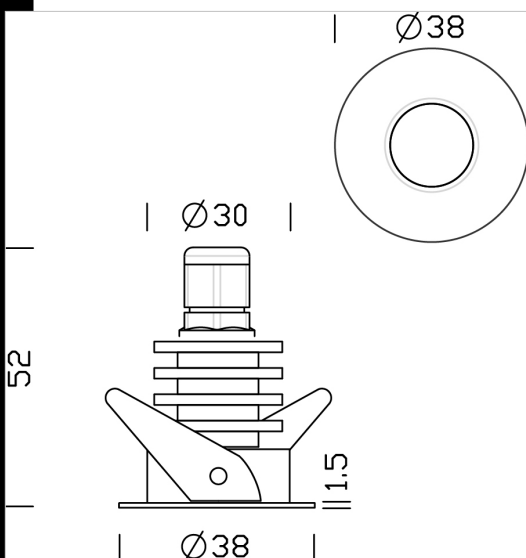
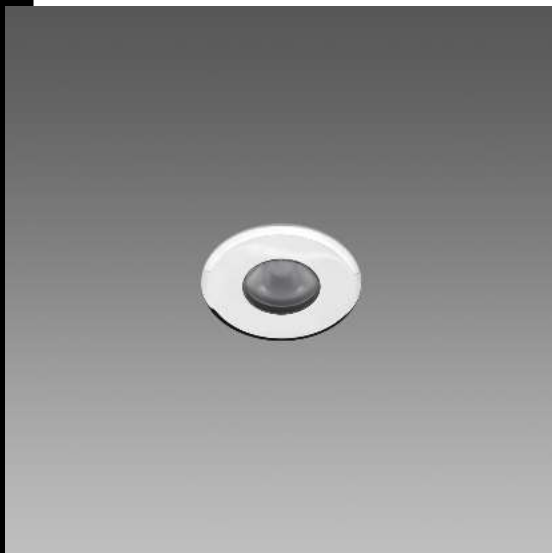
Regulations: Manufactured in accordance with standards EN60598 – 1 - CEI 34.21. Degree of protection in accordance with standards EN60529.

LED:

3000K - 350mA = 1.2W - 100lm

3000K - 500mA = 2.0W - 155lm

Power supply not included.



Code	Gear	Kg	Lumen Output-K-CRI	WTot	Colour
22066463-00	CLD S+L	0.06	LED-100lm-3000K-CRI 80	1 W	CROMATO



### Download

DXF 2D  
- pet38.dxf

The reported luminous flux is the flux emitted by the light source with a tolerance of  $\pm 10\%$  compared to the indicated value. The W tot column indicates the total wattage absorbed by the system without exceeding 10% of the indicated