



Download

DXF 2D
- sun118.dxf

Montaggi
- SUN T-Q rev3.pdf

Sun T - 2700K - High quality



New adjustable recessed spotlights for stores, homes and accommodation facilities. These new spotlights meet the multiple needs of lighting designers who have completely changed the way they light and decorate interiors. Nowadays the primary goal is to obtain the best visual comfort, giving light different meanings based on the type of space in which light is used.

In retail units, from big shopping centres to small shops, light is the central element around which the interior space is arranged and it is used to improve the display of goods and create tailored lighting systems to make the brand always recognisable.

In the accommodation and leisure facilities (hotels, bars, restaurants), light is an important element to develop a tailored and well-recognisable style.

This is why we created Sun

Housing: made in aluminum adjustable with springs.

Specific optical anti-glare for improved comfort.

Lens: injection moulded PMMA with high efficiency output and very low glare rate

Coating: Power-coated with a UV-resistant polyester paint.

Regulations: Manufactured in accordance with EN 60598-1-CEI 34.21 standards. Degree of protection in accordance with EN60529 standards.

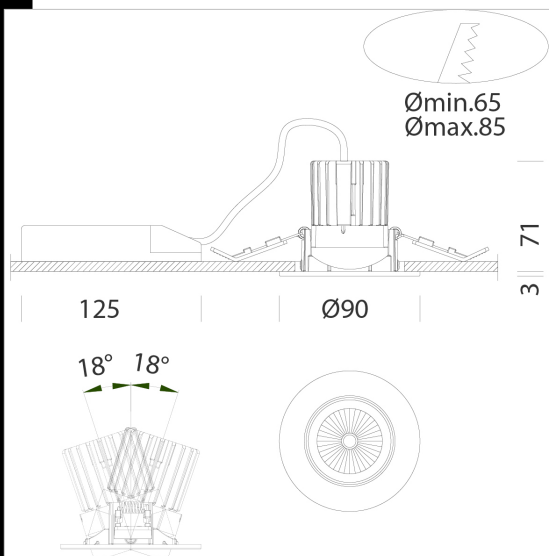
Heat sink: passive, pressed in die-cast aluminium with lateral outputs allowing for greater circulation of heat to ensure an extended life of the LED module.

Power factor: 0.9

Luminous flux maintenance 80%: 60000h (L80B20)

Photobiological safety class: exempt group EN62471.

recessed Ø 65/85mm



Code	Gear	Kg	Lumen Output-K-CRI	WTot	Colour
22066301-00	CLD	0,37	LED COB-750lm-2700K-25°-HG-CRI>95	10 W	WHITE
22066318-00	CLD	0,28	LED COB-750lm-2700K-40°-HG-CRI>95	10 W	WHITE
22066319-00	CLD	0,28	LED COB-700lm-2700K-60°-HG-CRI>95	10 W	WHITE
22066306-00	CLD	0,28	LED COB-750lm-2700K-25°-HG-CRI>95	10 W	SILVER
22066365-00	CLD	0,38	LED COB-750lm-2700K-40°-HG-CRI>95	10 W	SILVER
22066366-00	CLD	0,30	LED COB-700lm-2700K-60°-HG-CRI>95	10 W	SILVER
22066301-12	CLD-D	0,30	LED COB-750lm-2700K-25°-HG-CRI>95	9 W	WHITE
22066318-12	CLD-D	0,30	LED COB-750lm-2700K-40°-HG-CRI>95	9 W	WHITE
22066319-12	CLD-D	0,30	LED COB-700lm-2700K-60°-HG-CRI>95	9 W	WHITE
22066306-12	CLD-D	0,28	LED COB-750lm-2700K-25°-HG-CRI>95	9 W	SILVER
22066365-12	CLD-D	0,30	LED COB-750lm-2700K-40°-HG-CRI>95	9 W	SILVER
22066366-12	CLD-D	0,30	LED COB-700lm-2700K-60°-HG-CRI>95	9 W	SILVER

The reported luminous flux is the flux emitted by the light source with a tolerance of ± 10% compared to the indicated value. The W tot column indicates the total wattage absorbed by the system without exceeding 10% of the indicated