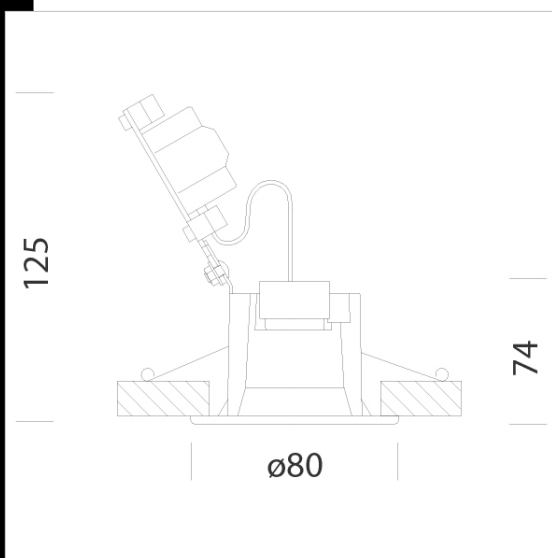




### Download

DXF 2D  
- ecosirio19.dxf

Montaggi  
- ECO SIRIO rev2.pdf



## Eco Sirio

Housing: Die-cast zamak.

Coating: Humidity-resistant acrylic-resin liquid paint, UV-stabilised. A different galvanic finishing process is used for chromium-plated and polished brass versions.

Regulations: Manufactured in accordance with standards EN60598 - 1 - CEI 34.21. Degree of protection in accordance with standards EN60529.

Power factor: 0.8

Luminous flux maintenance 70% 25000h (L70B50)

Photobiological safety class: Exempt group.

Code	Gear	Kg	Lumen Output-K-CRI	WTot	Colour
22066114-00	CLD	0,23	LED SMD-525lm-3000K-38°-CRI 80	6 W	WHITE
22066174-00	CLD	0,23	LED SMD-525lm-3000K-38°-CRI 80	6 W	SILVER
22066134-00	CLD	0,23	LED SMD-525lm-3000K-38°-CRI 80	6 W	BLACK
22066164-00	CLD	0,23	LED SMD-525lm-3000K-38°-CRI 80	6 W	CHROME
22066194-00	CLD	0,22	LED SMD-525lm-3000K-38°-CRI 80	6 W	GOLDEN

The reported luminous flux is the flux emitted by the light source with a tolerance of  $\pm 10\%$  compared to the indicated value. The W tot column indicates the total wattage absorbed by the system without exceeding 10% of the indicated