

Jet 180 - IP44 - MATT

Housing: fixed downlight in die cast aluminium complete with spring clips for recessed mounting. Reflector: in matt, anti-glare aluminium to optimise light efficiency. Screen: in anti-glare matt plastic material. Installation: equipped with galvanised steel support brackets, with housing for springs for attachment to the false ceilings.

Painting: dust painted, using polyester epoxy paint to withstand UV rays.

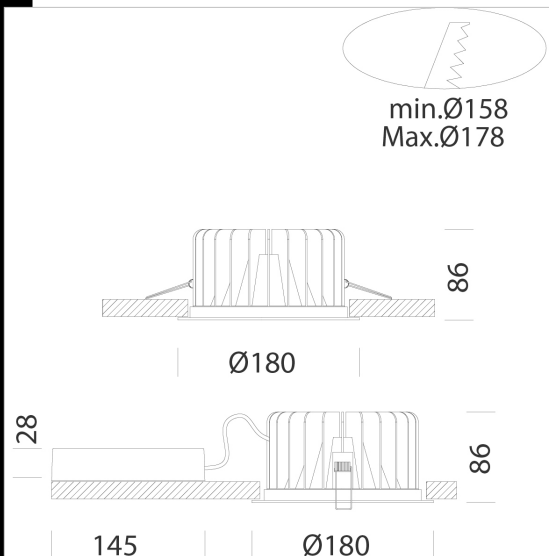
Regulations: Manufactured in accordance with standards EN60598 – CEI 34 –21. Degree of protection IP44 in accordance with standards EN60529.

Power factor: 0.9

Photobiological safety class: Exempt group.

Luminous flux maintenance 80%: 50.000h (L80B20).

recessed Ø 158/178mm



Code	Gear	Kg	Lumen Output-K-CRI	WTot	Colour
22065912-00	CLD	1,03	LED COB-3380lm-4000K-CRI>80	32 W	WHITE
22065912-1241	CLD-D-D	1,07	LED COB-3380lm-4000K-CRI>80	32 W	WHITE
22065912-39	CLD	1,04	LED COB-3380lm-3000K-CRI>80	32 W	WHITE
22065912-3941	CLD CELL-D-D	1,06	LED COB-3380lm-3000K-CRI>80	32 W	WHITE

Accessori



- EM Kit Q



Download

DXF 2D
- JET_180 MATT.dxf

Montaggi
- JET_IP44 rev2.pdf

BIM
- Jet 180 - IP44 - MATT -
20200716.zip

The reported luminous flux is the flux emitted by the light source with a tolerance of $\pm 10\%$ compared to the indicated value. The W tot column indicates the total wattage absorbed by the system without exceeding 10% of the indicated